

6

5

4

3

2

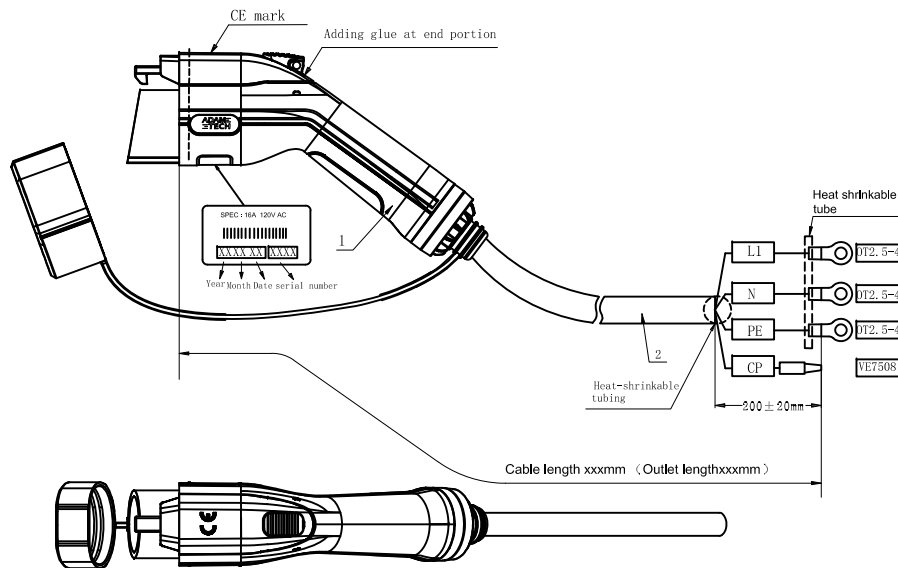
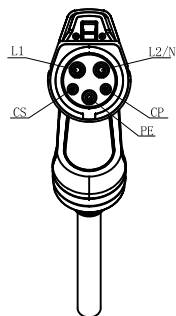
1

APPROVED: _____

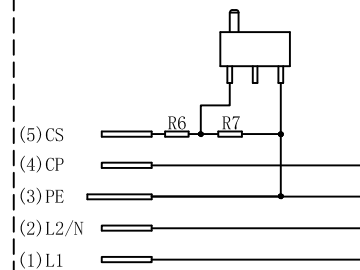
DATE: _____ TITLE: _____

Rev	AWO #	Description	Date	Appr
-		RELEASED	6/4/20	

Pin Layout Chart



Method of connecting wire



Function	Color	16A 120V AC
L1	Brown	2.5mm ²
N	Blue	2.5mm ²
PE	Yellow-Green	2.5mm ²
CP	Black	0.5mm ²
CS	—	—

Remark:
R7=330 Ω R8=160 Ω

SPECIFICATIONS:

Material:
 Insulator: PC, Thermoplastic, rated UL 94V-0
 Insulator color: Black
 Contacts: Copper Alloy, Silver plated surface
 Electrical:
 Current rating: 16A
 Voltage rating: 120 VAC
 Contact Impedance: 0.5 mohms max
 Insulation resistance: 1,000 Mohms min, DC 500V
 Dielectric withstanding voltage: 2,000V
 Mechanical:
 Mechanical life: unloaded plugged: >10,000
 Insertion and Extraction Force: <80N
 Temperature Rating:
 Operating temperature: -30°C to +50°C
 Environmental:
 Waterproof grade: IP54
 Lead free, RoHS compliant



Charging plug: according to SAE J1772-2017 standard
 Charging cable: 3x2.5mm²+1x0.5mm² (outer leather material TPE)

UNLESS OTHERWISE SPECIFIED ALL DIMENSIONS ARE MILLIMETERS TOLERANCES: EXCEPT AS NOTED		ADAM TECH INTERCONNECTS		909 Rahway Avenue, Union, NJ 07083 Phone: 908-687-5000 Fax: 908-687-5710	
APPROVALS		DATE		TITLE	
DRAWN	OW	6/4/20		CABLE ASSEMBLY EV CHARGER	
CHECKED	AC	6/4/20		TYPE 1 FEMALE PLUG 16A 1PHASE 2.5MM ² TUV	
APPROVED		SIZE	PART NO.	REV.	
		X	CA #EV01AT-002-XM	-	
REF: -		SCALE: NTS	SHEET 1 OF 1		

6

5

4

3

2

1