

6

5

4

3

2

1

APPROVED: _____

DATE: _____ TITLE: _____

Rev	AWO #	Description	Date	Appr
-		RELEASED	5/6/20	

D

D

C

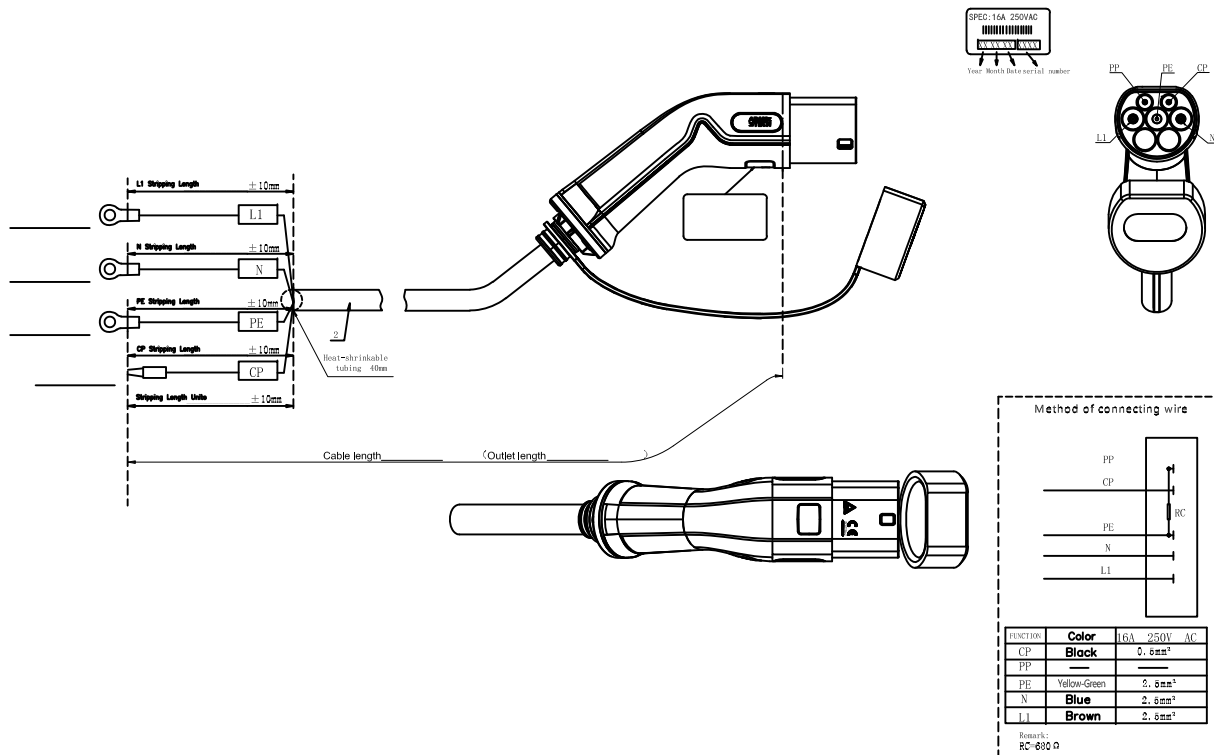
C

B

B

A

A



SPECIFICATIONS:

Material:
 Insulator: PC+PA66, Glass reinforced, Thermoplastic, rated UL 94V-0
 Insulator color: White
 Contacts: Copper Alloy, Silver plated surface
 Electrical:
 Current rating: 16A
 Voltage rating: 250 VAC
 Contact Impedance: 0.5 mohms max
 Insulation resistance: 1,000 Mohms min, DC 500V
 Dielectric withstanding voltage: 2,000V
 Mechanical:
 Mechanical life: unloaded plugged: >10,000
 Insertion and Extraction Force: <100N
 Temperature Rating:
 Operating temperature: -30°C to +50°C
 Environmental:
 Waterproof grade: IP55
 Lead free, RoHS compliant



Charging plug: according to IEC62196-1 2014, IEC62196-2 2017 standard
 Charging cable: 3x2.5mm²+1x0.5mm² (outer leather material TPE)

UNLESS OTHERWISE SPECIFIED ALL DIMENSIONS ARE MILLIMETERS TOLERANCES: EXCEPT AS NOTED		ADAM TECH INTERCONNECTS		909 Rahway Avenue, Union, NJ 07083 Phone: 908-687-5000 Fax: 908-687-5710	
APPROVALS		DATE		TITLE	
DRAWN	OW	5/6/20		CABLE ASSEMBLY EV CHARGER TYPE 2 MALE PLUG 16A 1PHASE 2.5MM ² TUV	
CHECKED	AC	5/6/20		SIZE	PART NO.
APPROVED				X	CA #EVO2AT-003-XM
		REF:	-	SCALE:	NTS
				SHEET 1 OF 1	

6

5

4

3

2

1