

6

5

4

3

2

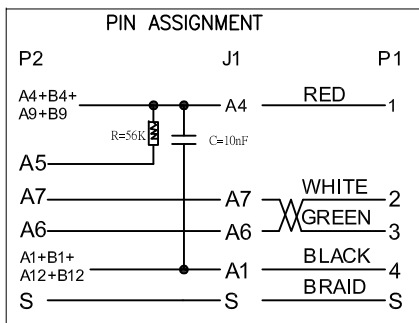
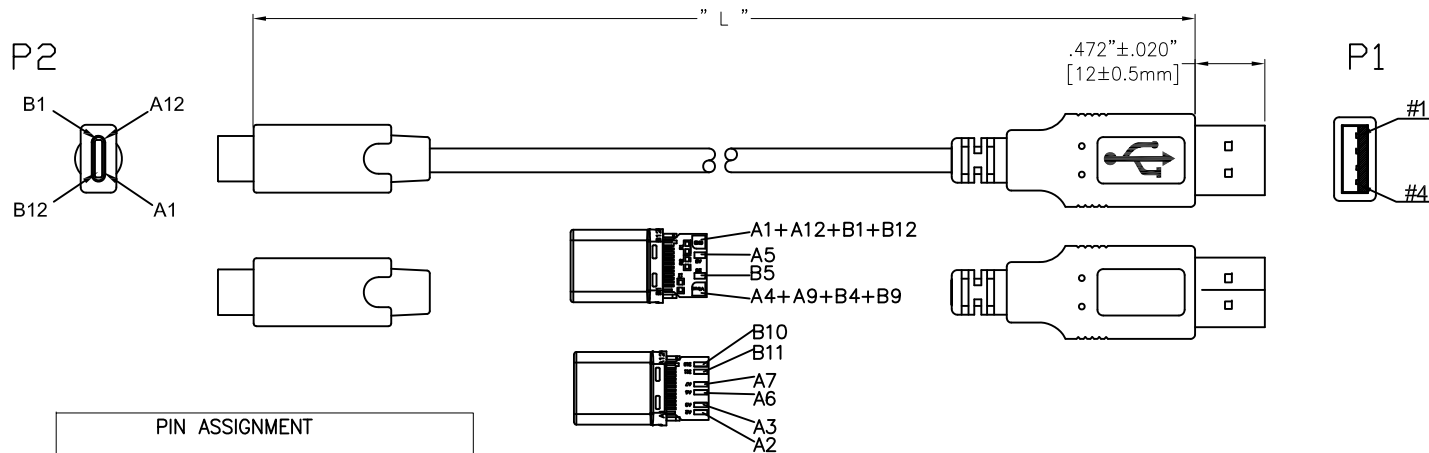
1

APPROVED: \_\_\_\_\_

DATE: \_\_\_\_\_ TITLE: \_\_\_\_\_

Rev	AWO #	Description	Date	Appr
-		RELEASED	10/13/15	
A		UPDATE DRAWING	1/2/18	AY/RC1

CUSTOM CABLE ASSEMBLIES ARE NON-CANCELLABLE/NON-RETURNABLE



ADAM P/N	L
CA-USB-AM/CM-1FT	12.008"±.394" [305±10mm]
CA-USB-AM/CM-3FT	36.024"±.394" [915±10mm]

**SPECIFICATIONS:**

**Connector:**

P1= USB Connector A type Plug, Insulator color: White, Overmold Color: Black, 50P PVC, rated UL 94V-0

P2= USB 3.1 Connector C type Plug 24Pin, Insulator color: Black, Terminal: 15u" Sel gold plated

Overmold Color: Black, 50P PVC, rated UL 94V-0, W/ PCB

**Cable:**

UL2725 (1P+2C)+AB, (28/24AWG USB Cable), OD: .189" [4.8mm], Jacket Color Black.

**Electrical Test:**

All Assemblies must be 100% Tested for Shorts, Open, Continuity, and Physical Appearance.

**Environmental:**

Lead free, RoHS compliant



UNLESS OTHERWISE SPECIFIED  
ALL DIMENSIONS ARE INCHES [MM]  
TOLERANCES: EXCEPT AS NOTED

INCHES		HOLES	
.X	± .10	Ø.X	±.10
.XX	± .020	Ø.XX	±.015
.XXX	± .015	Ø.XXX	±.010

**ADAM TECH INTERCONNECTS**  
909 Rahway Avenue,  
Union, NJ 07083  
Phone: 908-687-5000  
Fax: 908-687-5710

TITLE: CUSTOMER ASSEMBLY, USB 2.0 PLUG TYPE A TO USB 3.1 PLUG TYPE C

APPROVALS		DATE
DRAWN	HR	10/13/15
CHECKED	TW	10/13/15
APPROVED		

SIZE X	PART NO. CA-USB-AM/CM-XFT	REV. A
REF: S00087T	SCALE: NTS	SHEET 1 OF 1

6

5

4

3

2

1