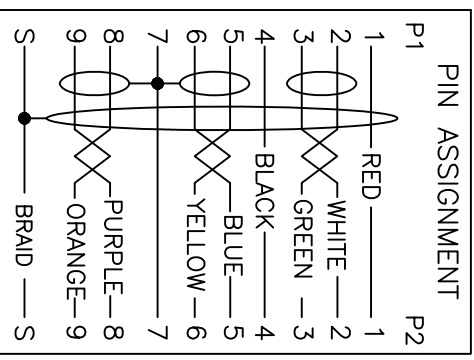
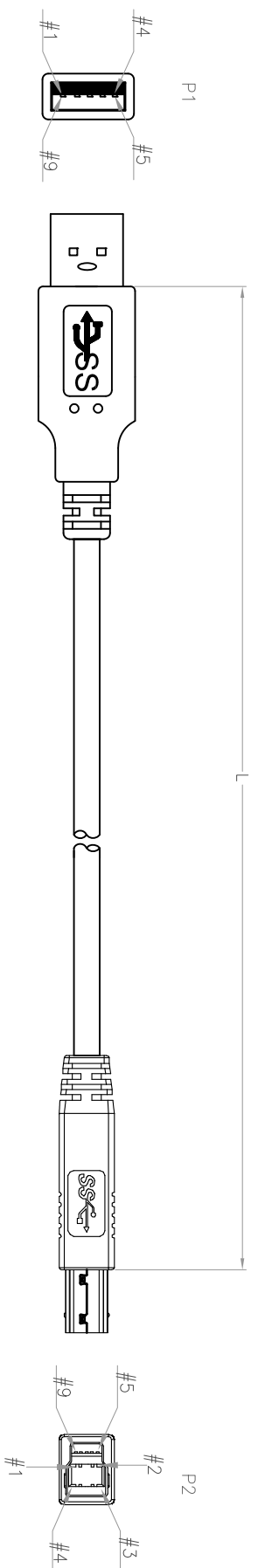


Rev	AWO #	Description	Date	Appr
-		RELEASED	10/13/15	

APPROVED: \_\_\_\_\_ TITLE: \_\_\_\_\_  
 DATE: \_\_\_\_\_

CUSTOM CABLE ASSEMBLIES ARE NON-CANCELLABLE/NON-RETURNABLE



ADAM P/N	L
CA-USB3-AM/BM-3FT	36.024"±1.181" [915±30mm]
CA-USB3-AM/BM-6FT	72.047"±1.969" [1830±50mm]
CA-USB3-AM/BM-10FT	120.079"±1.969" [3050±50mm]

**SPECIFICATIONS:**

**Connector:**  
 P1= USB 3.0 Connector A type Plug, Gold Flash Plated,  
 Insulator Color: Blue, Overmold Color: Blue, 50P PVC  
 P2= USB 3.0 Connector B type Plug, Gold Flash Plated,  
 Insulator Color: Blue, Overmold Color: Blue, 50P PVC

**Cable:**  
 UL20276, (30#\*1P+D+A+M)\*2C+30#\*1P+26#\*2C+A+B,  
 OD: .189" [4.8mm], Jacket Color Blue

**Electrical Test:**  
 All Assemblies must be 100% Tested for  
 Shorts, Open, Continuity, and Physical Appearance.  
 Environmental:  
 Lead free, RoHS compliant

UNLESS OTHERWISE SPECIFIED  
 ALL DIMENSIONS ARE INCHES [MM]  
 TOLERANCES: EXCEPT AS NOTED  
 INCHES HOLE SIZES ±.10  
 .X ±.10 ØXX ±.015  
 .XX ±.020 ØXXX ±.010  
 .XXX ±.015 ØXXXX ±.010

APPROVALS	DATE
DRAWN	HR
CHECKED	TW
APPROVED	

**ADAM TECH**  
 909 Rahway Avenue, Union, NJ 07083  
 Phone: 908-687-5000 Fax: 908-687-5710

TITLE: CUSTOM ASSEMBLY, USB 3.0 PLUG TYPE A  
 USB 3.0 PLUG TYPE B

SIZE: X PART NO.: CA-USB3-AM/BM-XFT  
 REF: S00087T SCALE: NTS SHEET 1 OF 1

