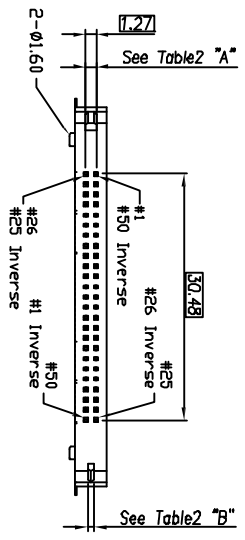
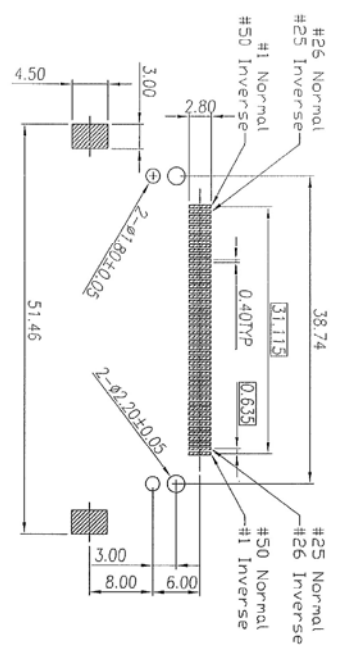
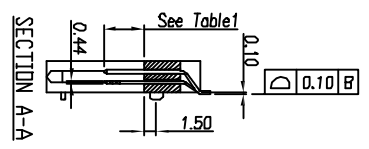
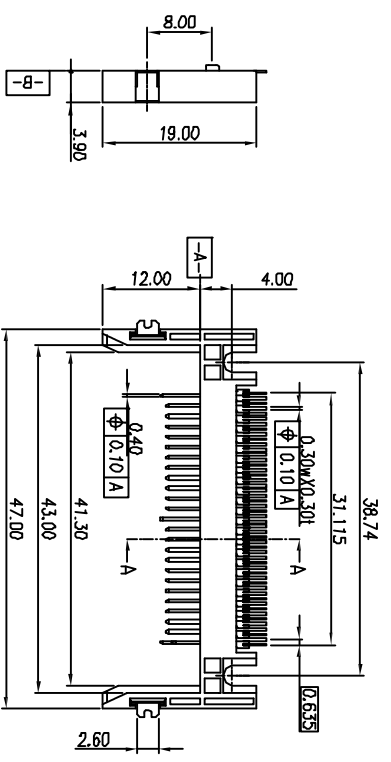
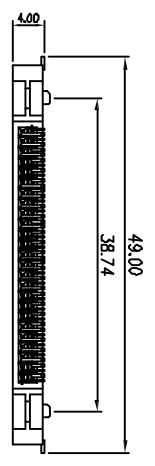


Rev	AWO #	Description	Date	Appr
-		RELEASED	01/22/13	

APPROVED: _____
 DATE: _____ TITLE: _____



SPECIFICATIONS:

Material:
 Insulator: Hi-Temp Thermoplastic, rated UL 94V-0
 Insulator color: White
 Contacts: Copper Alloy
 Peg: Brass
Plating:
 Gold flash over Nickel underplate on contact area,
 Tin over Copper underplate on SMT tails
Electrical:
 Operating voltage: 250 VDC max
 Current rating: 0.5 Amps max
 Contact resistance: 20 mohms
 Insulation resistance: 500 Mohms min
 Dielectric withstanding voltage: 500 VAC for 1 minute
Temperature Rating:
 Operating temperature: -55°C to +85°C
 Environmental:
 Lead free, RoHS compliant.

Pin Type	Dim L	Pin No.
Detect	.138 [3.50]	25, 26
General	.167 [4.25]	All other pins
Power	.197 [5.00]	1, 13, 38, 50

Type	DIM	
	A	B
Normal	1.40mm	0.79mm
Inverse	0.79mm	1.40mm

UNLESS OTHERWISE SPECIFIED
 ALL DIMENSIONS ARE MM
 TOLERANCES: EXCEPT AS NOTED
 INCHES
 .X ± .10 Ø.X ± .10
 .XX ± .020 Ø.XXX ± .015
 .XXX ± .015 Ø.XXXX ± .010

ADAM TECH

909 Railway Avenue, Union, NJ 07083
 Phone: 908-687-5000 Fax: 908-687-5710

APPROVALS		DATE	TITLE
DRAWN	TW	01/22/13	CF SOCKET, SLIM TYPE, TOP MOUNT
CHECKED	YC	01/22/13	NOTCH, SEL-GOLD PLATED
APPROVED			

SIZE	PART NO.	REV.
X	CF-50-C-SG-N	-
REF:	S0028T	SCALE: NTS
		SHEET 1 OF 1

