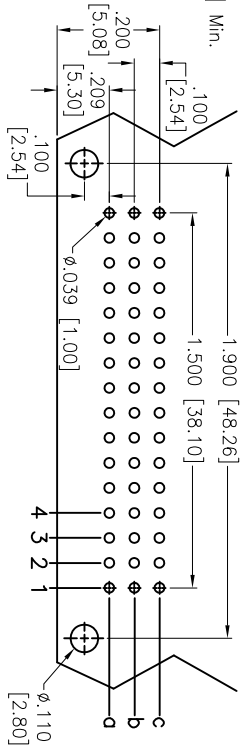
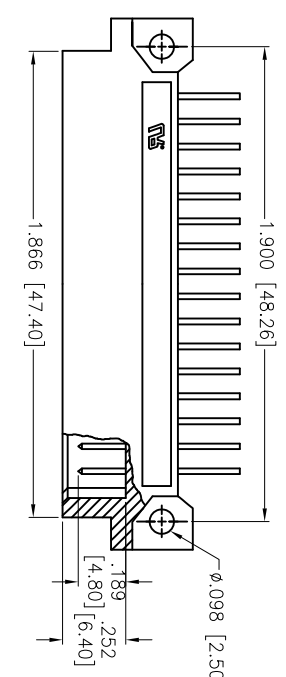
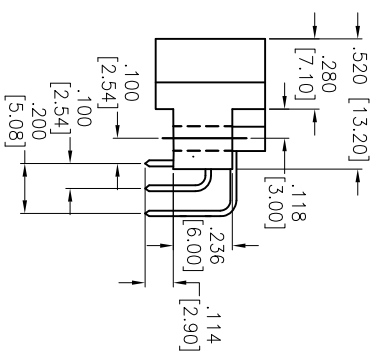
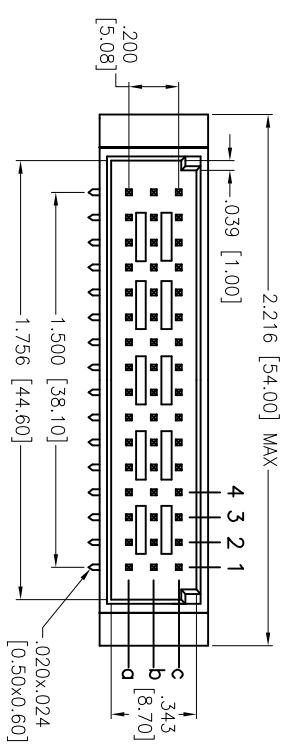


APPROVED: \_\_\_\_\_  
 DATE: \_\_\_\_\_ TITLE: \_\_\_\_\_

Rev	AWO #	Description	Date	Appr
-		RELEASED	04/14/05	
A		REDRAWN	11/09/11	



RECOMMENDED PCB LAYOUT



"X"	PLATING	CLASS
1	30 u" Gold	1
2	15 u" Gold	2
3	Gold Flash	3

**SPECIFICATIONS:**  
 Material: Insulator: Thermoplastic Polyester, glass reinforced, rated UL 94V-0  
 Insulator color: Beige  
 Contacts: Copper Alloy  
**Plating:** Gold over Nickel underplate on contact area, Tin over Copper underplate on solder tails.  
 (See chart for thickness)  
**Electrical:**  
 Operating voltage: 500 VAC max  
 Current rating: 2 Amps max  
 Contact resistance: 20 mohms max @ DC 100mA  
 Insulation resistance: 1,000 Mohms min @ 500 VDC  
 Dielectric withstanding voltage: 1,000 VAC for 1 minute  
**Temperature Rating:**  
 Operating temperature: -55C to +125C  
 Environmental: Lead free, RoHS compliant.

**UNLESS OTHERWISE SPECIFIED**  
 ALL DIMENSIONS ARE IN INCHES [MM]  
 TOLERANCES: EXCEPT AS NOTED  
 INCHES HOLES  
 .X ±.10 Ø.X ±.10  
 .XX ±.020 Ø.XX ±.015  
 .XXX ±.015 Ø.XXX ±.010  
 APPROVALS DATE

**ADAM TECH**

909 Railway Avenue, Union, NJ 07083  
 Phone: 908-687-5000 Fax: 908-687-5710

TITLE: DIN TYPE 1/2 C MALE, 48 PIN,  
 3 ROW RIGHT ANGLE

DRAWN	SS	DATE
CHECKED		
APPROVED		

SIZE	PART NO.	REV.
X	DIN-48MR-S33-A1CX	A

REF: S00038T SCALE: NTS SHEET 1 OF 1

