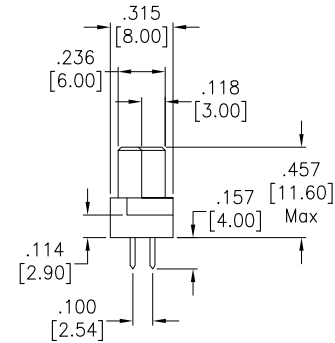
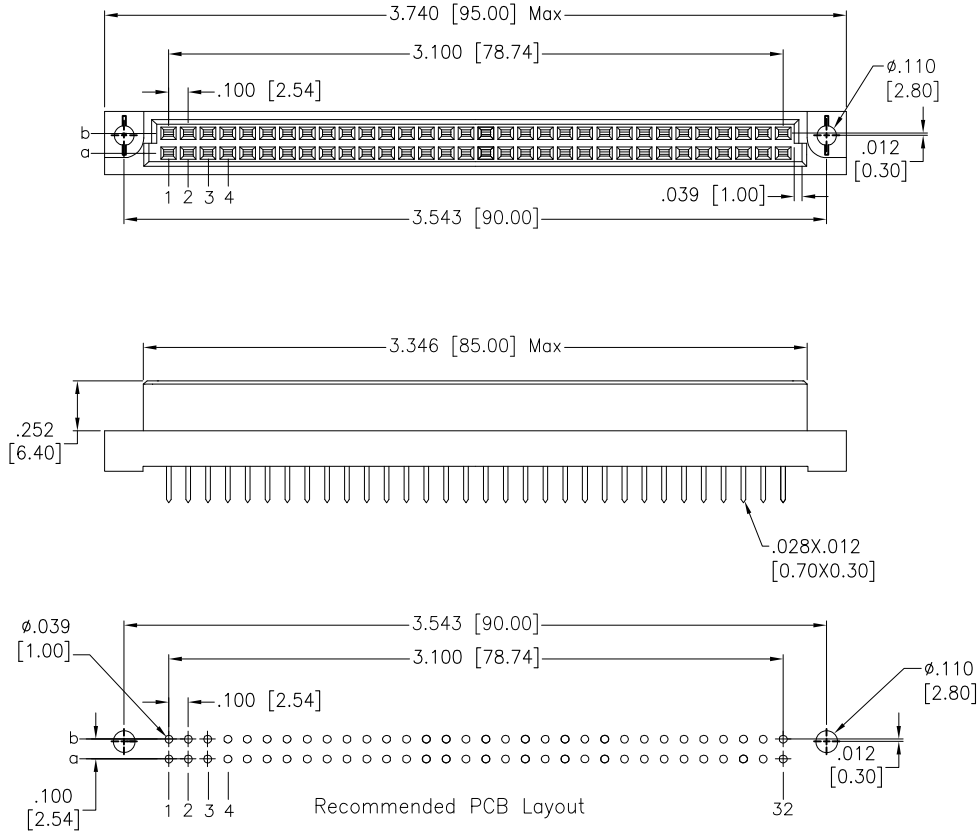


APPROVED: _____
 DATE: _____ TITLE: _____

Rev	AWO #	Description	Date	Appr
-		RELEASED	11/12/09	
A		REVISED SPEC.	7/20/11	
B		UPDATE DRAWING	1/20/16	AY/MW



"X"	PLATING	CLASS
1	30 u" Gold	1
2	15 u" Gold	2
3	Gold Flash	3

SPECIFICATIONS:

Material:
 Insulator: Thermoplastic Polyester Glass Filled UL 94V-0
 Contacts: Copper alloy

Plating:
 Gold over Nickel underplate on contact area,
 Tin over Copper underplate on solder tails.
 (See chart for thickness)

Electrical:
 Current rating: 2 Amps max
 Contact resistance: 20 mohms max
 Insulation resistance: 1000 Mohms min @ 500V DC
 Dielectric withstanding voltage: 1000 VAC for 1 minute

Temperature Rating:
 Operating temperature: -55°C to +125°C
 Environmental:
 Lead free, RoHS compliant.



UNLESS OTHERWISE SPECIFIED ALL DIMENSIONS ARE MM [INCHES] TOLERANCES: EXCEPT AS NOTED	
INCHES	HOLES
.X ± .10	Ø.X ± .10
.XX ± .020	Ø.XX ± .015
.XXX ± .015	Ø.XXX ± .010
APPROVALS	
DRAWN	DATE
CHECKED	
APPROVED	

ADAM TECH
 909 Rahway Avenue, Union, NJ 07083
 Phone: 908-687-5000 Fax: 908-687-5710

TITLE: **DIN TYPE B FEMALE, 64 PINS LOADED
 2 ROW STRAIGHT, ROW A & B LOADED**

SIZE	PART NO.	REV.
X	DIN-64FS-L22-A1CX	B

REF: S00058T SCALE: NTS SHEET 1 OF 1

6 5 4 3 2 1

6 5 4 3 2 1

D

D

C

C

B

B

A

A