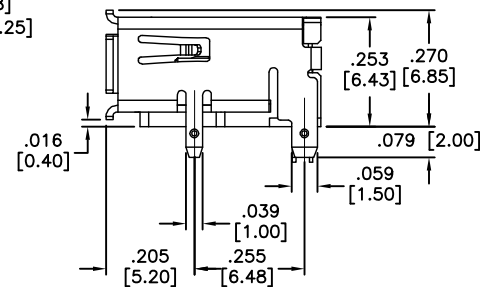
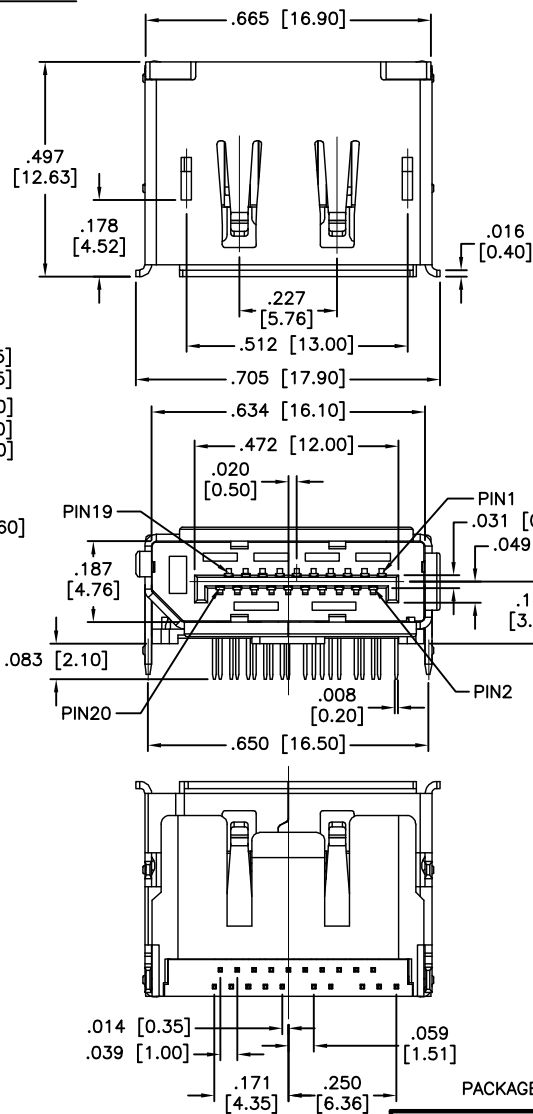
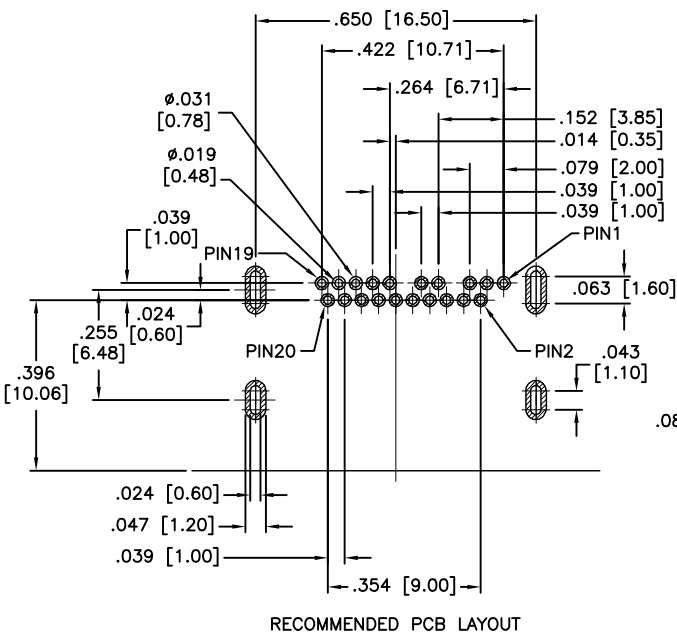


APPROVED: _____

DATE: _____ TITLE: _____

Rev	AWO #	Description	Date	Appr
-		RELEASED	11/11/15	

SOURCE SIDE		SINK SIDE	
Pin Number	Pin Name	Pin Number	Pin Name
1	ML_Lane 0 (p)	1	ML_Lane 3 (n)
2	GND	2	GND
3	ML_Lane 0 (n)	3	ML_Lane 3 (p)
4	ML_Lane 1 (p)	4	ML_Lane 2 (n)
5	GND	5	GND
6	ML_Lane 1 (n)	6	ML_Lane 2 (p)
7	ML_Lane 2 (p)	7	ML_Lane 1 (n)
8	GND	8	GND
9	ML_Lane 2 (n)	9	ML_Lane 1 (p)
10	ML_Lane 3 (p)	10	ML_Lane 0 (n)
11	GND	11	GND
12	ML_Lane 3 (n)	12	ML_Lane 0 (p)
13	CONFIG1	13	CONFIG1
14	CONFIG2	14	CONFIG2
15	AUX CH (p)	15	AUX CH (p)
16	GND	16	GND
17	AUX CH (n)	17	AUX CH (n)
18	Hot Plug Detect	18	Hot Plug Detect
19	Return	19	Return
20	DP_PWR	20	DP_PWR



SPECIFICATIONS:

Material:
Housing: Hi-temp thermoplastic, rated UL 94V-0
Contact: Copper Alloy
Shell: Copper Alloy, nickel plated
Plating:
15u" Gold over Nickel underplate on contact area,
Tin over Nickel underplate on PCB tails
Electrical:
Operating voltage: 40 V
Current rating: 0.5 Amps min
Contact Resistance: 30 mohms max.
Insulation Resistance: 100 Mohms min.
Withstanding Voltage: 500 VAC for 1 minute
Temperature Rating:
Operating temperature: -20°C to +85°C
Environmental:
Lead free, RoHS compliant.



PACKAGED ON TAPE & REEL

UNLESS OTHERWISE SPECIFIED
ALL DIMENSIONS ARE INCHES [MM]
TOLERANCES: EXCEPT AS NOTED

.X ± .10	∅.X ± .10
.XX ± .020	∅.XX ± .015
.XXX ± .015	∅.XXX ± .010

ADAM TECH

909 Rahway Avenue, Union, NJ 07083
Phone: 908-687-5000 Fax: 908-687-5710

TITLE: DISPLAYPORT RECEPTACLE, R/A, DIP TYPE
20 PIN, 15 u" SEL GOLD PLATED, TAPE & REEL

APPROVALS		DATE
DRAWN	HR	11/11/15
CHECKED	TW	11/11/15
APPROVED		

SIZE	PART NO.	REV.
X	DPC-F-S-RA-CS1-15-T/R	-
REF:	S00013T	SCALE: NTS
		SHEET 1 OF 1