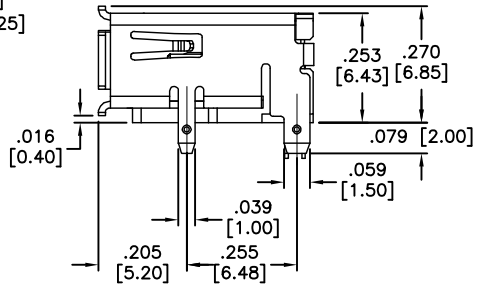
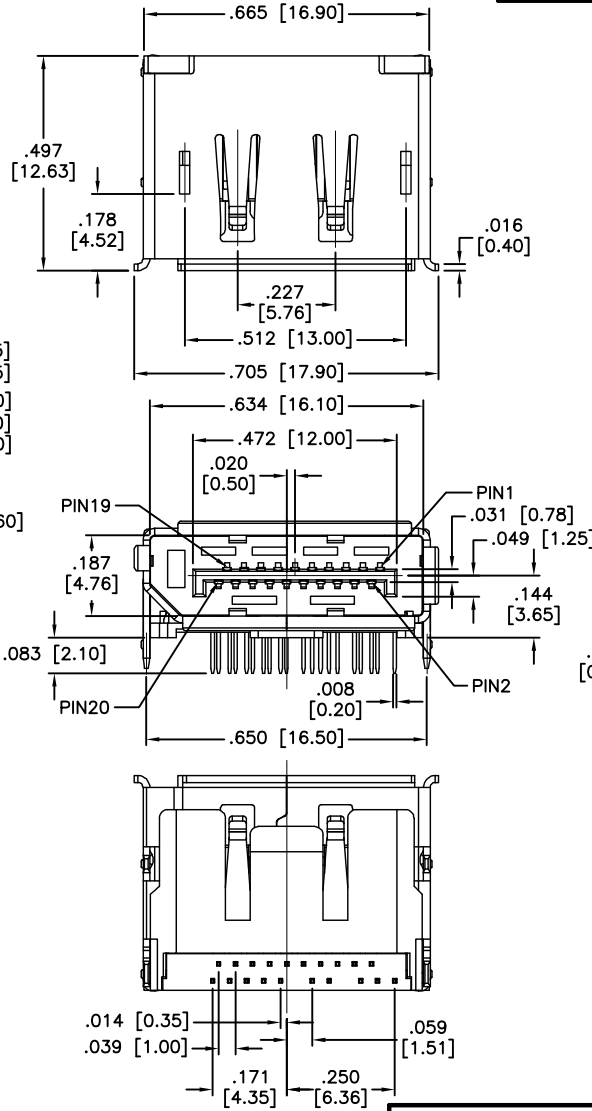
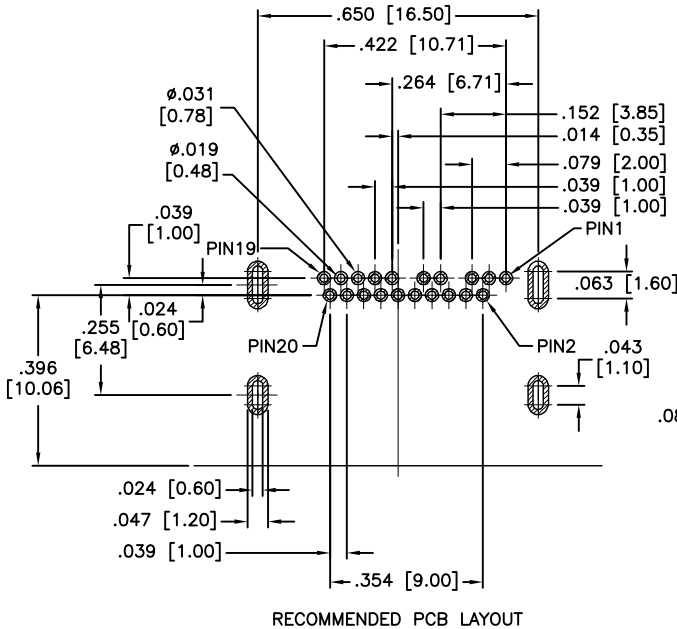


APPROVED: \_\_\_\_\_  
 DATE: \_\_\_\_\_ TITLE: \_\_\_\_\_

Rev	AWO #	Description	Date	Appr
-		RELEASED	3/27/13	
A		UPDATED DIM.	11/11/15	HR/TW

SOURCE SIDE		SINK SIDE	
Pin Number	Pin Name	Pin Number	Pin Name
1	ML_Lane 0 (p)	1	ML_Lane 3 (n)
2	GND	2	GND
3	ML_Lane 0 (n)	3	ML_Lane 3 (p)
4	ML_Lane 1 (p)	4	ML_Lane 2 (n)
5	GND	5	GND
6	ML_Lane 1 (n)	6	ML_Lane 2 (p)
7	ML_Lane 2 (p)	7	ML_Lane 1 (n)
8	GND	8	GND
9	ML_Lane 2 (n)	9	ML_Lane 1 (p)
10	ML_Lane 3 (p)	10	ML_Lane 0 (n)
11	GND	11	GND
12	ML_Lane 3 (n)	12	ML_Lane 0 (p)
13	CONFIG1	13	CONFIG1
14	CONFIG2	14	CONFIG2
15	AUX CH (p)	15	AUX CH (p)
16	GND	16	GND
17	AUX CH (n)	17	AUX CH (n)
18	Hot Plug Detect	18	Hot Plug Detect
19	Return	19	Return
20	DP_PWR	20	DP_PWR



**SPECIFICATIONS:**  
 Material:  
 Housing: Hi-temp thermoplastic, rated UL 94V-0  
 Contact: Copper Alloy  
 Shell: Copper Alloy, nickel plated  
 Plating:  
 15u" Gold over Nickel underplate on contact area,  
 Tin over Nickel underplate on PCB tails  
 Electrical:  
 Operating voltage: 40 V  
 Current rating: 0.5 Amps min  
 Contact Resistance: 30 mohms max.  
 Insulation Resistance: 100 Mohms min.  
 Withstanding Voltage: 500 VAC for 1 minute  
 Temperature Rating:  
 Operating temperature: -20°C to +85°C  
 Environmental:  
 Lead free, RoHS compliant.



UNLESS OTHERWISE SPECIFIED  
 ALL DIMENSIONS ARE INCHES [MM]  
 TOLERANCES: EXCEPT AS NOTED

INCHES		HOLES	
.X	± .10	Ø.X	± .10
.XX	± .020	Ø.XX	± .015
.XXX	± .015	Ø.XXX	± .010

APPROVALS		DATE
DRAWN	AY	3/27/13
CHECKED	NP	3/27/13
APPROVED		

**ADAM TECH**  
 909 Rahway Avenue, Union, NJ 07083  
 Phone: 908-687-5000 Fax: 908-687-5710

TITLE: **DISPLAYPORT RECEPTACLE, R/A, DIP TYPE**  
**20 PIN, 15 u" SEL GOLD PLATED**

SIZE	PART NO.	REV.
X	DPC-F-S-RA-CS1-15	A

REF: S00013T SCALE: NTS SHEET 1 OF 1

6 5 4 3 2 1

6 5 4 3 2 1

D

D

C

C

B

B

A

A