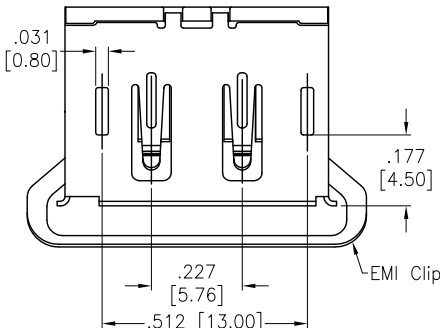
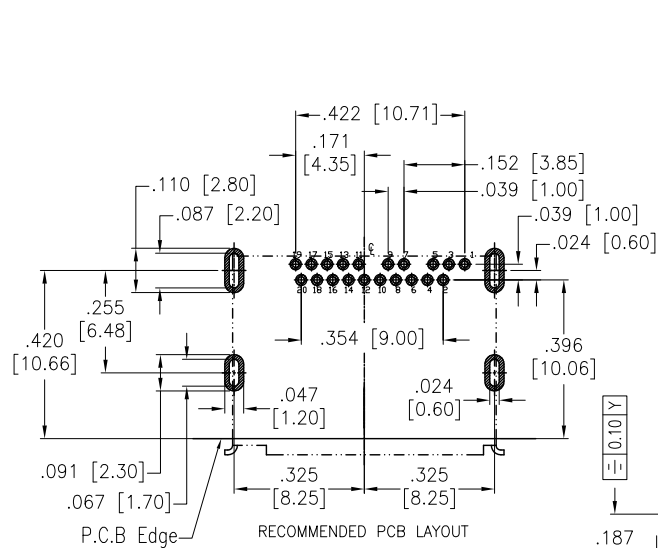
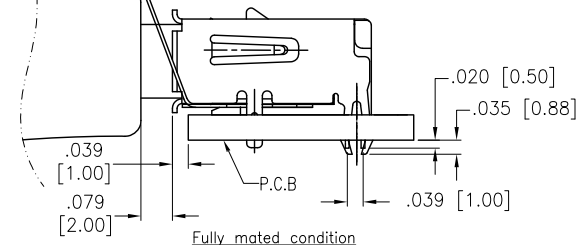
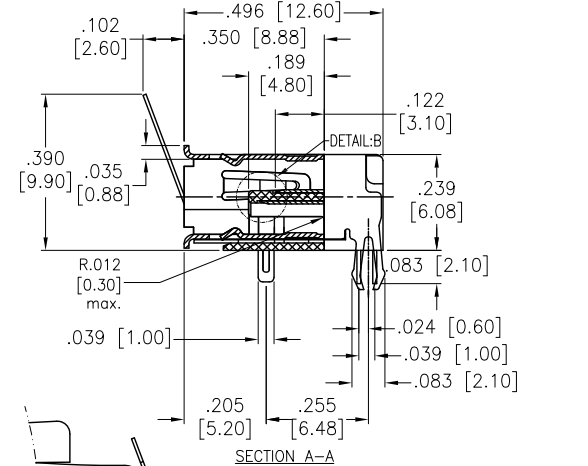
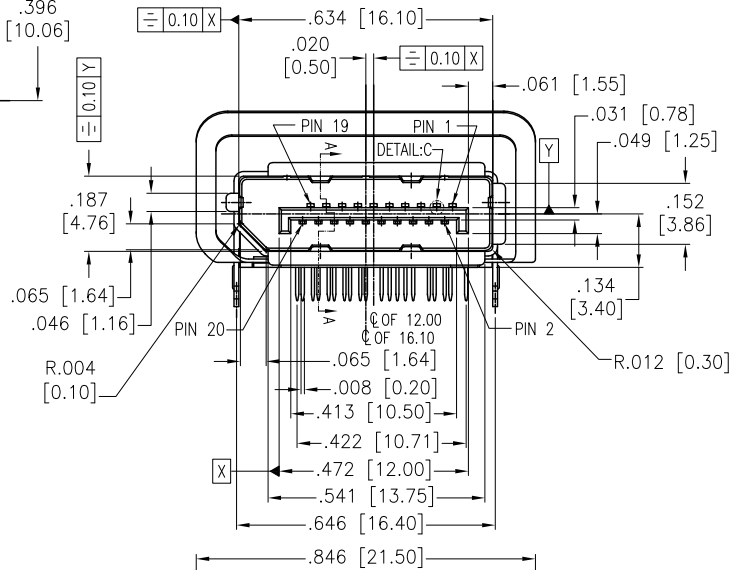
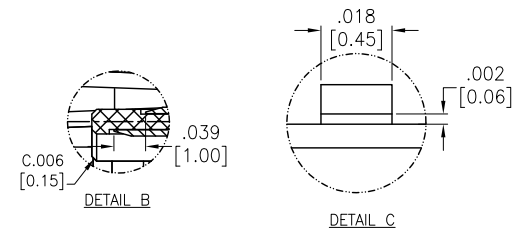


APPROVED: \_\_\_\_\_  
 DATE: \_\_\_\_\_ TITLE: \_\_\_\_\_

Rev	AWO #	Description	Date	Appr
-		RELEASED	6/24/16	



Pin No.	Signal Type	Pin No.	Signal Type
1	In	11	GND
2	GND	12	In
3	In	13	CONFIG(see note 1)
4	In	14	CONFIG(see note 1)
5	GND	15	I/O
6	In	16	GND
7	In	17	I/O
8	GND	18	Out
9	In	19	RTN
10	In	20	Power Out(see note 2)



**SPECIFICATIONS:**  
 Material:  
 Housing: Hi-temp thermoplastic, rated UL 94V-0  
 Contact: Brass  
 Shell: Brass, Nickel plated  
 Plating:  
 15u" Gold over Nickel underplate on contact area,  
 Tin over Nickel underplate on solder tails  
 Electrical:  
 Operating voltage: 40 VAC max  
 Current rating: 0.5 Amps per Contact  
 Contact Resistance: 30 mohms max  
 Insulation Resistance: 100 Mohms min.  
 Withstanding Voltage: 500 VAC for 1 minute  
 Temperature Rating:  
 Operating temperature: -20°C to +85°C  
 Environmental:  
 Lead free, RoHS compliant.



UNLESS OTHERWISE SPECIFIED  
 ALL DIMENSIONS ARE INCHES [MM]  
 TOLERANCES: EXCEPT AS NOTED

INCHES		HOLES	
.X	± .10	∅X	± .10
.XX	± .020	∅XX	± .015
.XXX	± .015	∅XXX	± .010

# ADAM TECH

909 Rahway Avenue, Union, NJ 07083  
 Phone: 908-687-5000 Fax: 908-687-5710

APPROVALS		DATE
DRAWN	AY	6/24/16
CHECKED	CH	6/24/16
APPROVED		

TITLE		
DISPLAYPORT RECEPTACLE, R/A, W/EMI CLIP, DIP		
20 PIN, W/ BOARDLOCK, 15u" SEL GOLD PLATED		
SIZE	PART NO.	REV.
X	DPC-F-S-RA-CS2-BL-15-EMI	-
REF:	S00078T	SCALE: NTS SHEET 1 OF 1