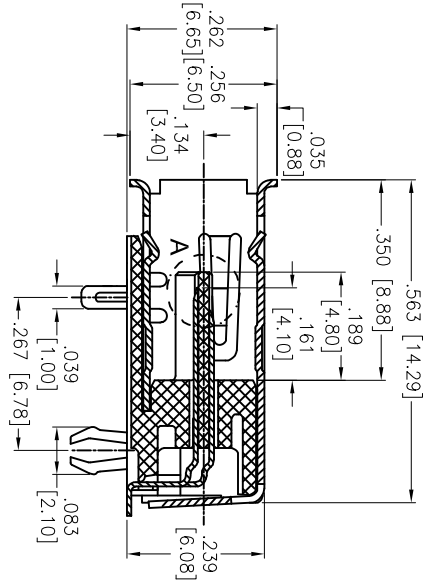
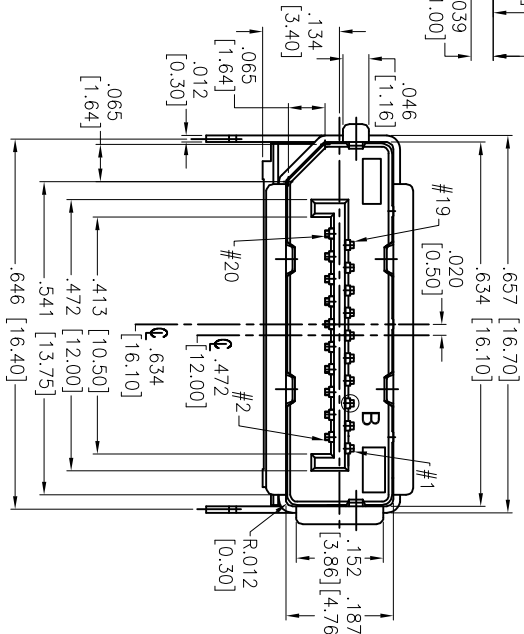
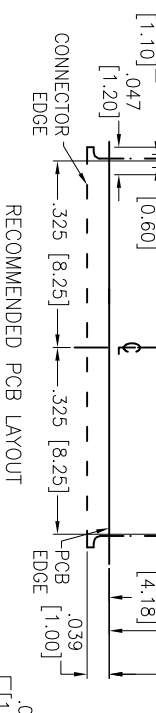
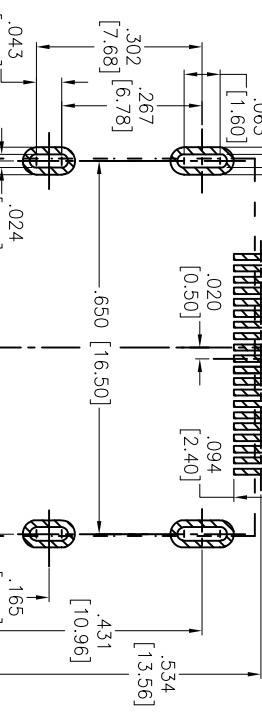
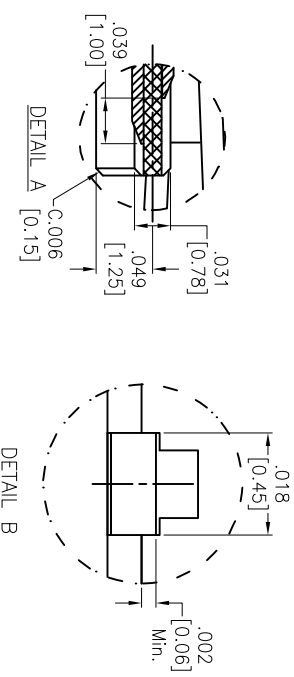


Rev	AWO #	Description	Date	Appr
-		RELEASED	8/5/14	

APPROVED: \_\_\_\_\_  
 DATE: \_\_\_\_\_ TITLE: \_\_\_\_\_



**SPECIFICATIONS:**

- Material: Insulator: Hi-temp thermoplastic, rated UL 94V-0
- Insulator color: Black
- Contact: Brass
- Shell: Brass, Nickel plated
- Plating: Gold Flash over Nickel on Contact area.
- Tin plating on Solder Tail
- Electrical: Operating voltage: 40 VAC
- Current rating: 0.5 Amps min
- Contact Resistance: 30 ohms max.
- Insulation Resistance: 100M ohms min.
- Withstanding Voltage: 500V AC for 1 minute
- Temperature Rating: Operating temperature: -25°C to +85°C
- Environmental: Lead free, RoHS compliant.

**ADAM TECH**

909 Railway Avenue, Union, NJ 07083  
 Phone: 908-687-5000 Fax: 908-687-5710

TITLE: DISPLAYPORT RECEPTACLE, R/A, SMT TYPE  
 20 PINS, W/ BOARDLOCK

UNLESS OTHERWISE SPECIFIED ALL DIMENSIONS ARE INCHES [MM] TOLERANCES: EXCEPT AS NOTED	
INCHES	HOLDS
.X ± .10	ØX ± .10
.XX ± .020	ØXX ± .015
.XXX ± .015	ØXXX ± .010
APPROVALS	DATE
DRAWN AY	8/5/14
CHECKED NP	8/5/14
APPROVED	

SIZE X	PART NO. DPC-F-S-RA-SMT-BL	REV. -
REF: S00078T	SCALE: NTS	SHEET 1 OF 1

