

6

5

4

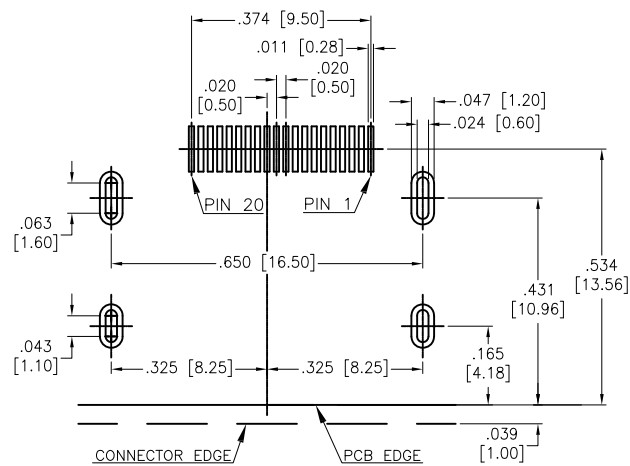
3

2

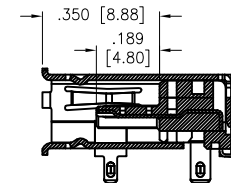
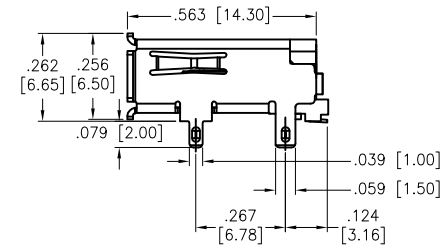
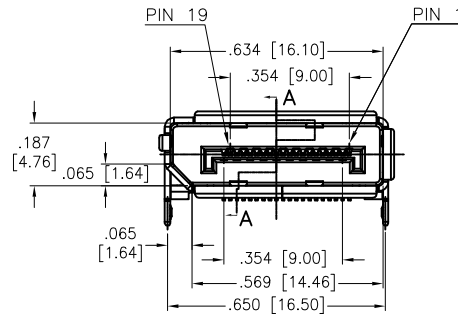
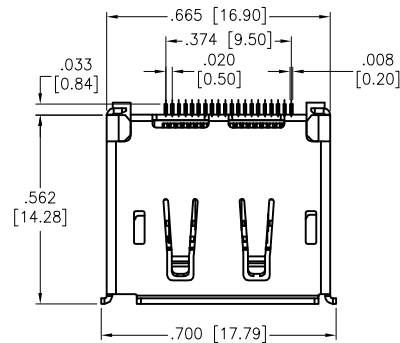
1

APPROVED: _____
DATE: _____ TITLE: _____

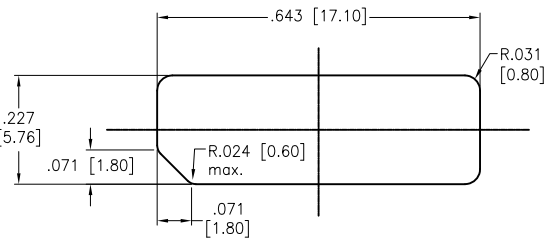
Rev	AWO #	Description	Date	Appr
-		RELEASED	6/17/16	



RECOMMENDED PCB LAYOUT



SECTION A-A



RECOMMENDED PANEL CUT

SPECIFICATIONS:

Material:
 Insulator: Hi-temp thermoplastic, rated UL 94V-0
 Insulator color: Black
 Contact: Copper Alloy
 Shell: Brass, Nickel plated
 Plating:
 Gold flash over Nickel underplate on contact area,
 Tin over Copper underplate on solder tails
 Electrical:
 Voltage rating: 40 VAC (rms)
 Current rating: 0.5 Amps min
 Contact Resistance: 30 ohms max.
 Insulation Resistance: 100M ohms min.
 Withstanding Voltage: 500V AC for 1 minute
 Temperature Rating:
 Operating temperature: -25°C to +85°C
 Environment:
 Lead free, RoHS compliant.



PACKAGED ON TAPE & REEL

UNLESS OTHERWISE SPECIFIED ALL DIMENSIONS ARE INCHES [MM] TOLERANCES: EXCEPT AS NOTED		ADAM TECH 909 Rahway Avenue, Union, NJ 07083 Phone: 908-687-5000 Fax: 908-687-5710	
INCHES HOLES .X ± .10 Ø.X ± .10 .XX ± .020 Ø.XX ± .015 .XXX ± .015 Ø.XXX ± .010			
APPROVALS		TITLE	
DRAWN AY 6/17/16		DISPLAYPORT RECEPTACLE, R/A SMT TYPE, 20 PINS, NO PEG	
CHECKED AT 6/17/16		SIZE X	PART NO. DPC-F-S-RA-SMT-CS3A-HF-T/R
APPROVED		REF: S00167T	SCALE: NTS SHEET 1 OF 1

6

5

4

3

2

1