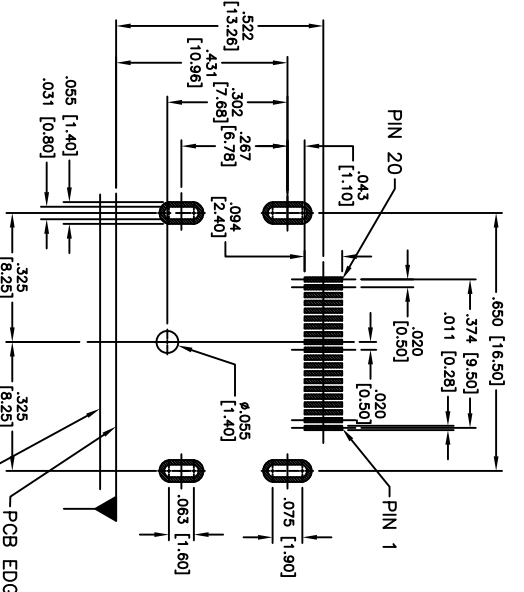
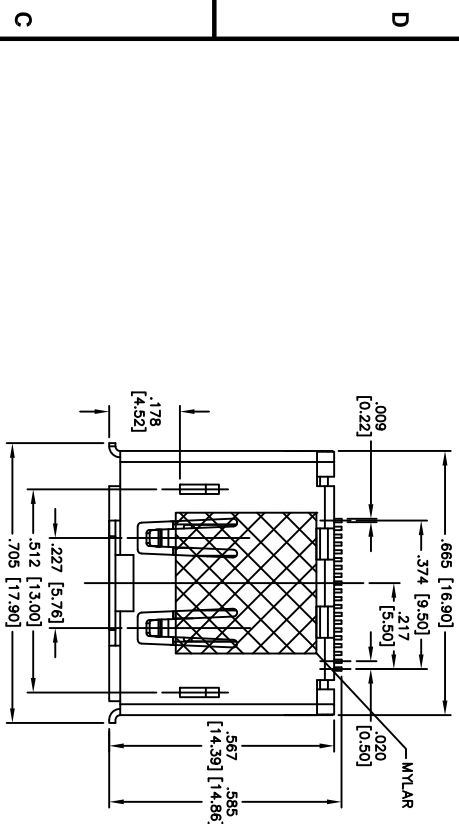


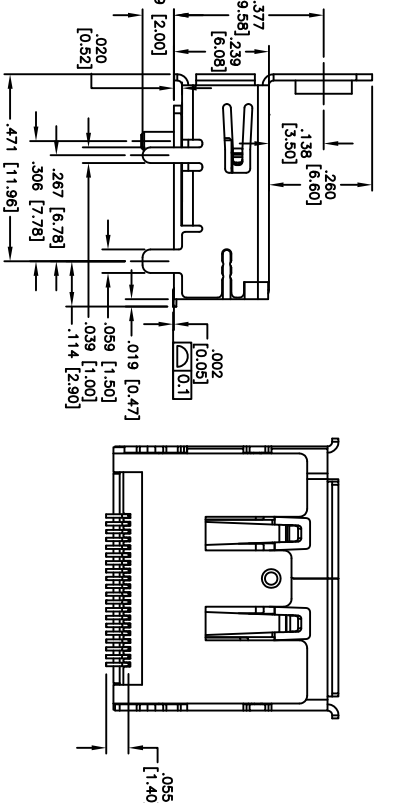
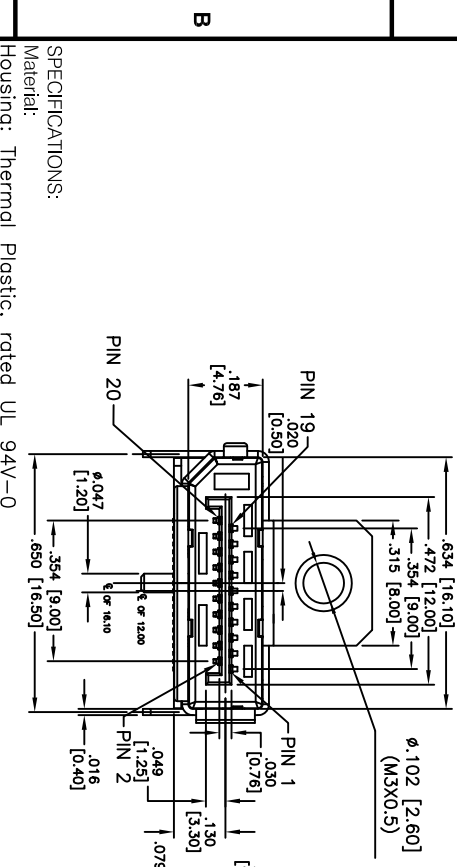
Rev	AWO #	Description	Date	Appr
-		RELEASED	2/22/13	

APPROVED: _____

DATE: _____ TITLE: _____



RECOMMENDER PCB LAYOUT (THICKNESS=1.6±0.15)



PACKAGED ON TAPE & REEL

SPECIFICATIONS:
 Material: Thermal Plastic, rated UL 94V-0
 Housing: Copper Alloy
 Shell: Copper Alloy, nickel plated
 Plating: 15u" Gold over Nickel on Contact area.
 Tin plating on Solder Tail
 Electrical:
 Operating voltage: 40 VAC
 Current rating: 0.5 Amps min
 Withstanding Voltage: 500V AC for 1 minute
 Insulation Resistance: 100M ohms min.
 Conduct Resistance: 30 ohms max.
 Temperature Rating:
 Operating temperature: -20°C to +85°C
 Environmental:
 Lead free, RoHS compliant.

UNLESS OTHERWISE SPECIFIED
 ALL DIMENSIONS ARE INCHES [MM]
 TOLERANCES: EXCEPT AS NOTED

INCHES	HOLES
.X ± .10	± .10
.XX ± .020	± .015
.XXX ± .015	± .010
.XXX ± .010	± .010

APPROVALS

DATE	DATE
2/22/13	2/22/13

ADAM TECH
 909 Railway Avenue, Union, NJ 07083
 Phone: 908-687-5000 Fax: 908-687-5710

TITLE: DISPLAYPORT RECEPTACLE, RA, SMT TYPE

REV.	SCALE	SHEET 1 OF 1
X	SCALE: NTS	SHEET 1 OF 1

SIZE	PART NO.	REV.
X	DPC-F-S-RA-SMT-MF-15-KT-T/R	-

APPROVED	DATE	DATE
AH	2/22/13	2/22/13



6 5 4 3 2 1