

Rev	AWO #	Description	Date	Appr
-		RELEASED	2/22/13	

6

5

4

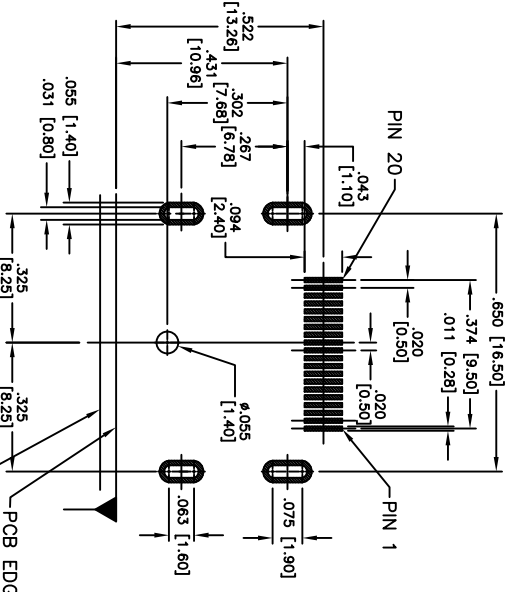
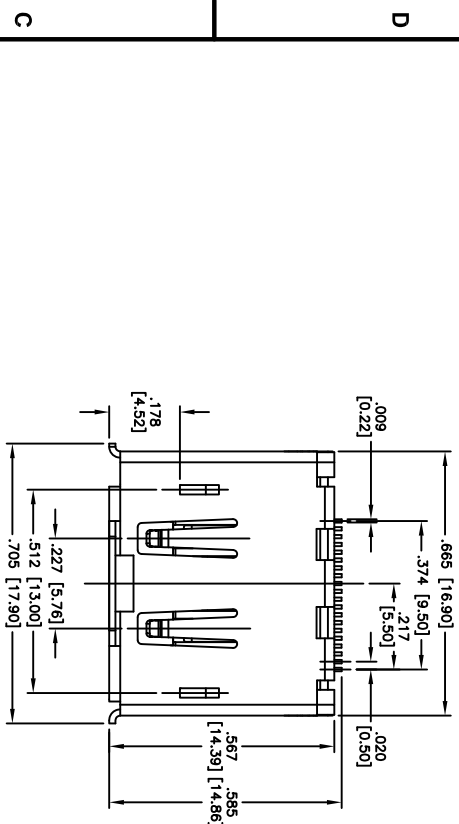
3

2

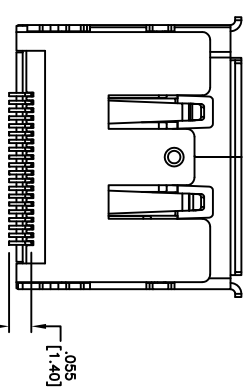
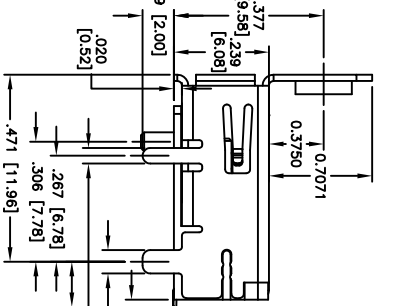
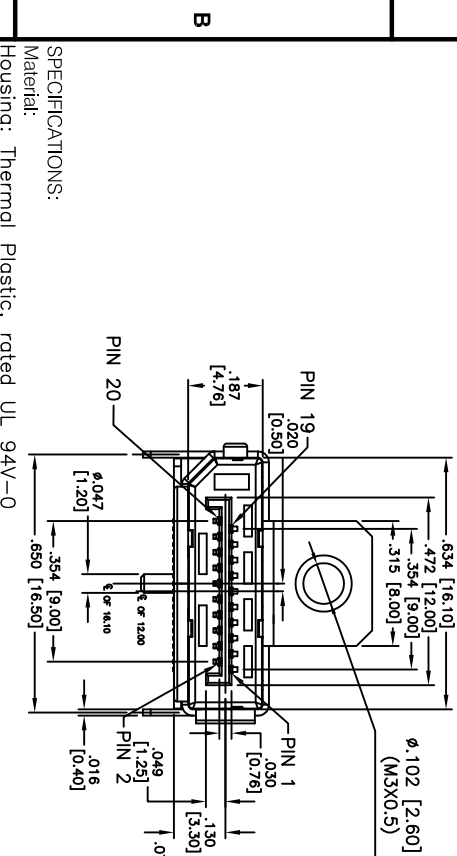
1

APPROVED: _____

DATE: _____ TITLE: _____



RECOMMENDER PCB LAYOUT (THICKNESS=1.6±0.15)



Ø.102 [2.60] (M3X0.5)

SPECIFICATIONS:
 Material: _____
 Housing: Thermal Plastic, rated UL 94V-0
 Contact: Copper Alloy
 Shell: Copper Alloy, nickel plated
 Plating: _____
 15u" Gold over Nickel on Contact area.
 Tin plating on Solder Tail
 Electrical:
 Operating voltage: 40 VAC
 Current rating: 0.5 Amps min
 Withstanding Voltage: 500V AC for 1 minute
 Insulation Resistance: 100M ohms min.
 Contact Resistance: 30 ohms max.
 Temperature Rating:
 Operating temperature: -20°C to +85°C
 Environmental:
 Lead free, RoHS compliant.

A

B

C

D

UNLESS OTHERWISE SPECIFIED ALL DIMENSIONS ARE INCHES [MM]	
TOLERANCES EXCEPT AS NOTED	
INCHES	[MM]
.X ± .10	ØX ± .10
.XX ± .020	ØXX ± .015
.XXX ± .015	ØXXX ± .010
APPROVALS	
DRAWN AY	DATE 2/22/13
CHECKED AH	DATE 2/22/13
APPROVED	

ADAM TECH
 909 Railway Avenue, Union, NJ 07083
 Phone: 908-687-5000 Fax: 908-687-5710

DISPLAYPORT RECEPTACLE, RA, SMT TYPE

SIZE X	PART NO. DPC-F-S-RA-SMT-MF-15	REV. -
REF: 3000T3T	SCALE: NTS	SHEET 1 OF 1

6

5

4

3

2

1