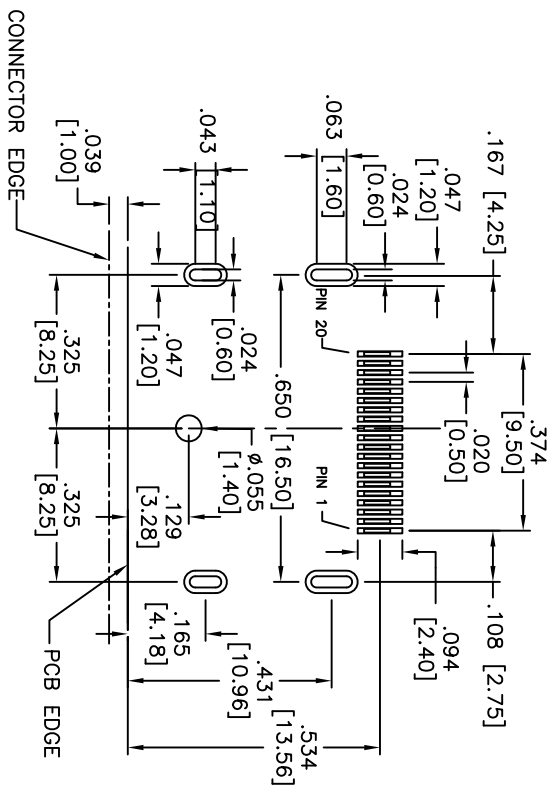
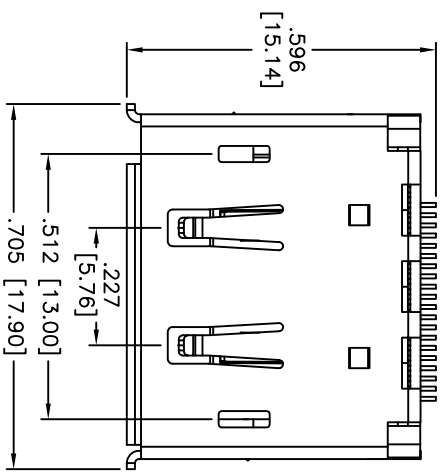


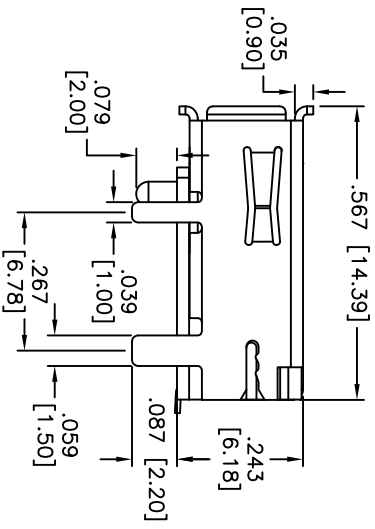
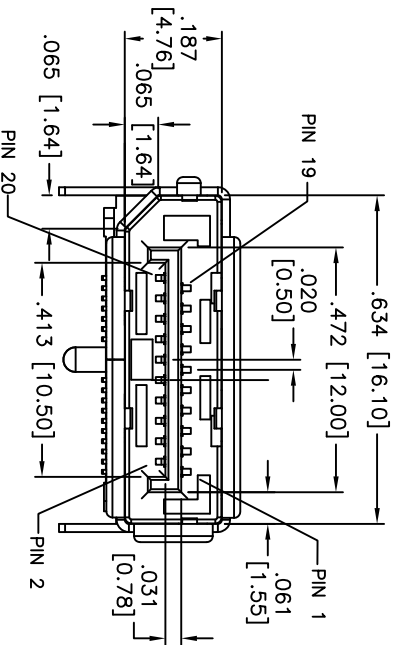
Rev	AWO #	Description	Date	Appr
-		RELEASED	2/5/13	

APPROVED: _____

DATE: _____ TITLE: _____



RECOMMENDED PCB LAYOUT



SPECIFICATIONS:

- Material: Hi-temp thermoplastic, rated UL 94V-0
- Housing: Copper Alloy
- Contact: Brass, nickel plated
- Shell: Brass, nickel plated
- Plating: 30u" Gold over Nickel underplate overall
- Electrical:
 - Operating voltage: 40 VAC
 - Current rating: 0.5 Amps min
 - Withstanding Voltage: 500V AC for 1 minute
 - Insulation Resistance: 100M ohms min.
 - Contact Resistance: 30 ohms max.
- Temperature Rating:
 - Operating temperature: -25°C to +85°C
 - Environmental: Lead free, RoHS compliant.

ADAM TECH

909 Rahway Avenue, Union, NJ 07083
 Phone: 908-687-5000 Fax: 908-687-5710

TITLE: **DISP LAYPORT RECEPTACLE, R/A, SMT TYPE**
20 PIN, 30U" GOLD PLATED, NO RIB

UNLESS OTHERWISE SPECIFIED ALL DIMENSIONS ARE IN INCHES [MM]	
TOLERANCES EXCEPT AS NOTED	
INCHES	HOLDS
.X ± .10	ØXX ± .10
.XX ± .020	ØXXX ± .015
.XXX ± .015	ØXXXX ± .010
APPROVALS	DATE
DRAWN AY	2/5/13
CHECKED CC	2/5/13
APPROVED	

SIZE X	PART NO. DPC-F-S-RA-SMT-NR-P-30	REV. -
REF: S00106T	SCALE: NTS	SHEET 1 OF 1