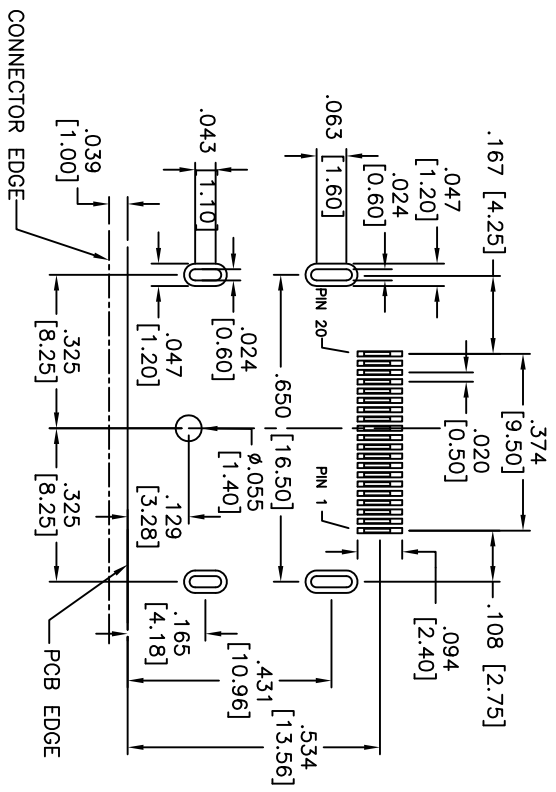
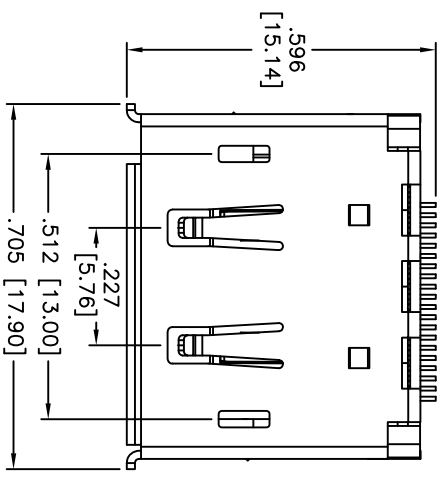
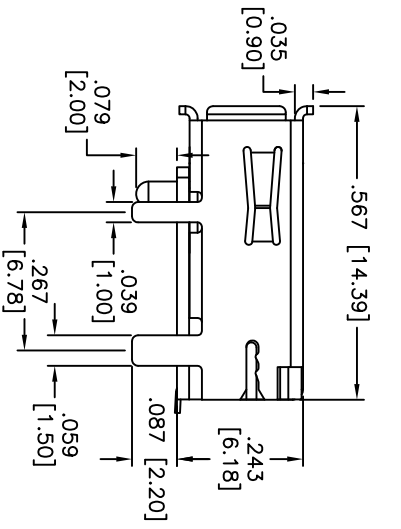
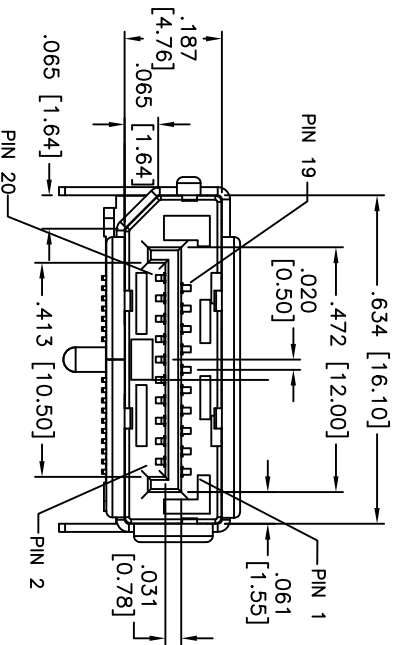


Rev	AWO #	Description	Date	Appr
-		RELEASED	2/4/13	

APPROVED: _____
 DATE: _____ TITLE: _____



RECOMMENDED PCB LAYOUT



SPECIFICATIONS:

Material: Hi-temp thermoplastic, rated UL 94V-0
 Housing: Hi-temp thermoplastic, rated UL 94V-0
 Contact: Copper Alloy
 Shell: Brass, nickel plated
 Plating: Gold Flash over Nickel underplate overall
 Electrical: Operating voltage: 40 VAC
 Current rating: 0.5 Amps min
 Withstanding Voltage: 500V AC for 1 minute
 Insulation Resistance: 100M ohms min.
 Conduct Resistance: 30 ohms max.
 Temperature Rating: Operating temperature: -25°C to +85°C
 Environmental: Lead free, RoHS compliant.

UNLESS OTHERWISE SPECIFIED ALL DIMENSIONS ARE IN INCHES [MM]	
TOLERANCES EXCEPT AS NOTED	
INCHES	
.X ± .10	ØXX ± .10
.XX ± .020	ØXXX ± .015
.XXX ± .015	ØXXXX ± .010
APPROVALS	DATE
DRAWN AY	2/4/13
CHECKED CC	2/4/13
APPROVED	

ADAM TECH
 909 Rahway Avenue, Union, NJ 07083
 Phone: 908-687-5000 Fax: 908-687-5710

TITLE: DISPLAYPORT RECEPTACLE, R/A, SMT TYPE
 20 PIN, GOLD FLASH PLATED, NO RIB

SIZE: X PART NO.: DPC-F-S-RA-SMT-NR-P
 REF: 500106T SCALE: NTS SHEET 1 OF 1