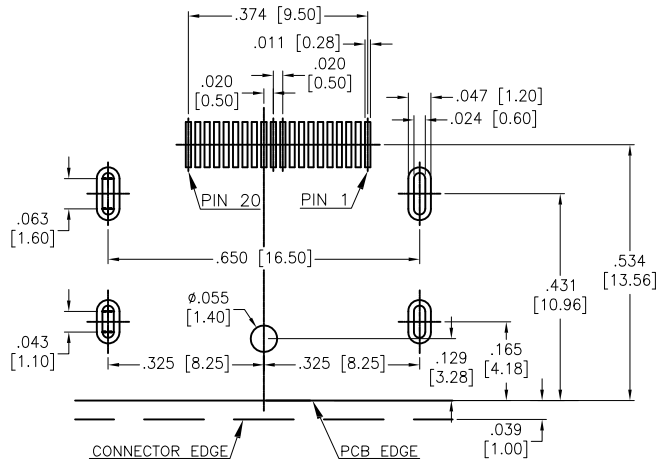
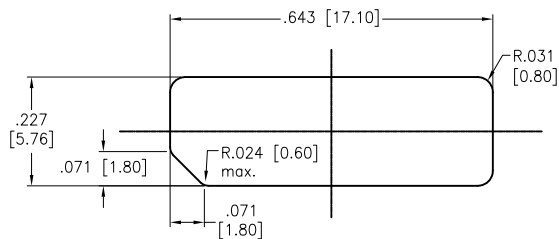


APPROVED: \_\_\_\_\_  
 DATE: \_\_\_\_\_ TITLE: \_\_\_\_\_

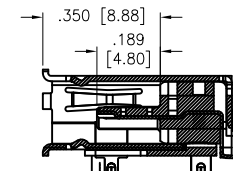
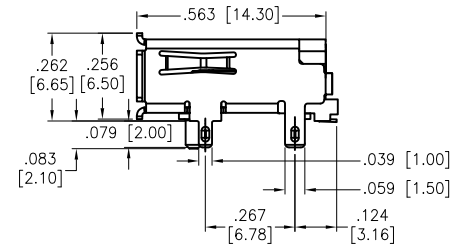
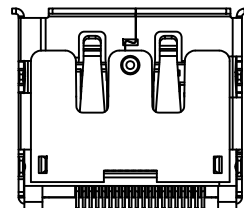
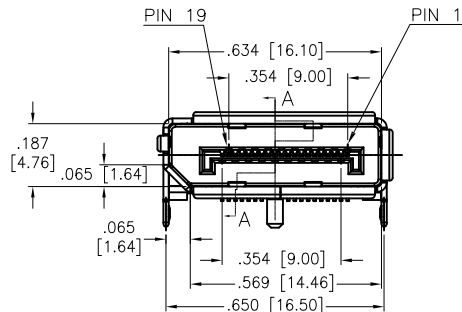
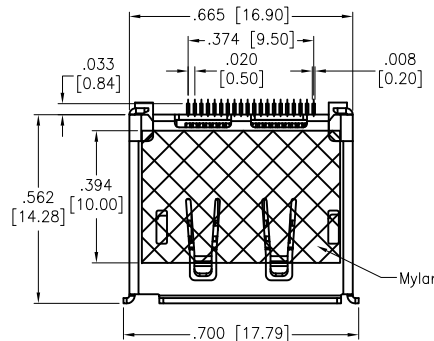
Rev	AWO #	Description	Date	Appr
-		RELEASED	8/13/14	



RECOMMENDED PCB LAYOUT



RECOMMENDED PANEL CUT



SECTION A-A

SPECIFICATIONS:

Material:  
 Insulator: Hi-temp thermoplastic, rated UL 94V-0  
 Insulator color: Black  
 Contact: Copper Alloy  
 Shell: Brass, Nickel plated  
 Plating:  
 15u" Gold over Nickel underplate on contact area,  
 Tin over Copper underplate on solder tails  
 Electrical:  
 Voltage rating: 40 VAC (rms)  
 Current rating: 0.5 Amps min  
 Contact Resistance: 30 ohms max.  
 Insulation Resistance: 100M ohms min.  
 Withstanding Voltage: 500V AC for 1 minute  
 Temperature Rating:  
 Operating temperature: -25°C to +85°C  
 Environmental:  
 Lead free, RoHS compliant.



PACKAGED ON TAPE & REEL

UNLESS OTHERWISE SPECIFIED ALL DIMENSIONS ARE INCHES [MM] TOLERANCES: EXCEPT AS NOTED		<b>ADAM TECH</b> 909 Rahway Avenue, Union, NJ 07083 Phone: 908-687-5000 Fax: 908-687-5710	
INCHES HOLES .X ±.10 Ø.X ±.10 .XX ±.020 Ø.XX ±.015 .XXX ±.015 Ø.XXX ±.010			
APPROVALS		DATE	
DRAWN	HR	8/13/14	
CHECKED	GH	8/13/14	
APPROVED			
TITLE		DISPLAYPORT RECEPTACLE, R/A, SMT TYPE, 20 PINS, W/ MYLAR	
SIZE	PART NO.	REV.	
X	DPC-F-S-RA-SMT-P-CS3-15-KT-T/R	-	
REF:	S00106T	SCALE:	NTS
		SHEET 1 OF 1	

6

5

4

3

2

1

6

5

4

3

2

1