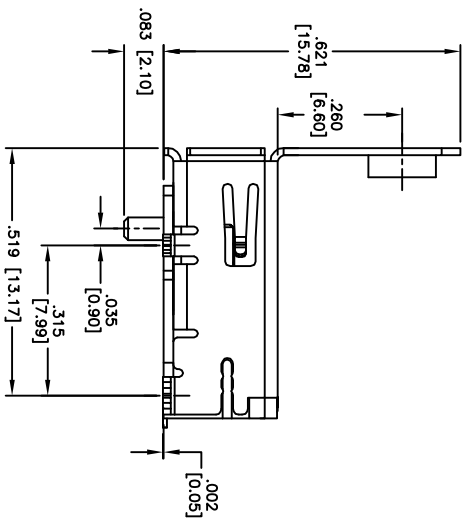
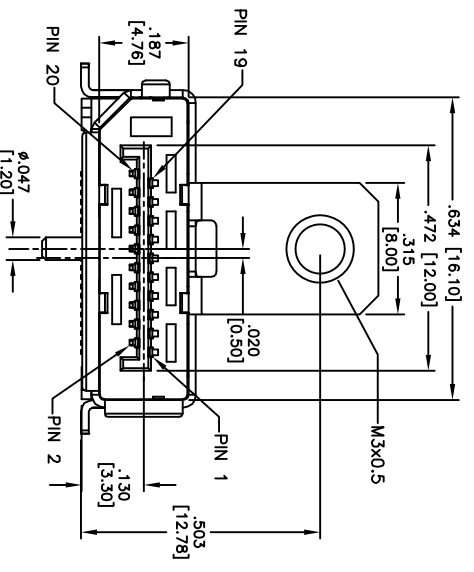
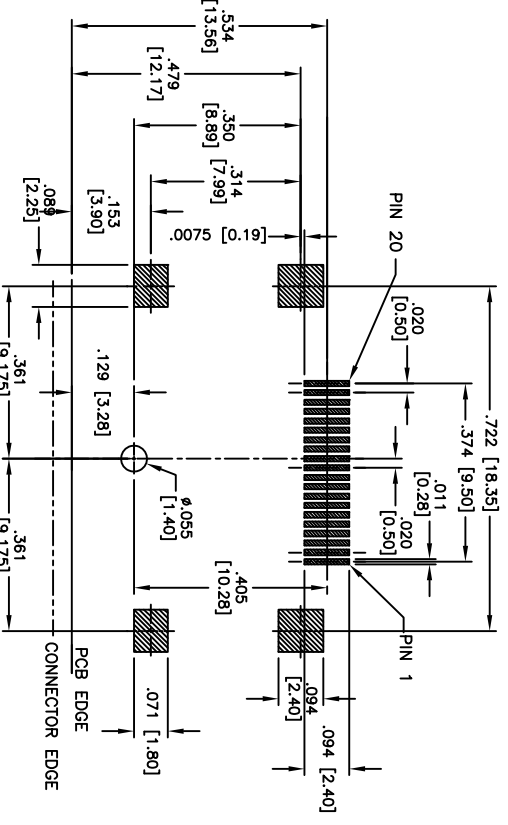
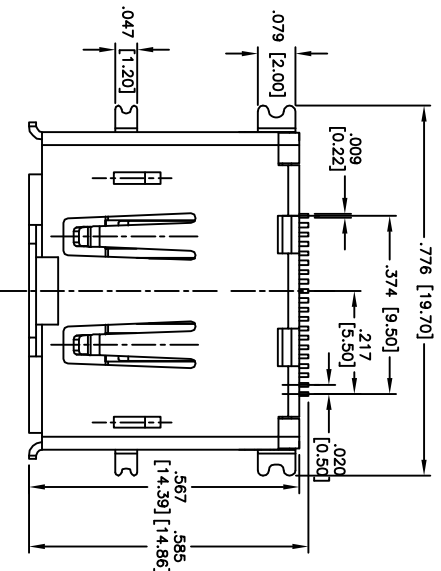


APPROVED: _____
 DATE: _____ TITLE: _____

Rev	AWO #	Description	Date	Appr
-		RELEASED	11/11/09	
A		REVISED SPEC.	5/29/14	AV/LL



SPECIFICATIONS:

- Material: Housing: Hi-temp thermoplastic, rated UL 94V-0
- Contact: Copper Alloy
- Shell: Copper Alloy, nickel plated
- Plating: Gold over Nickel underplate on contact area
- Tin plating on Solder Tail
- Electrical: Operating voltage: 40 VAC
- Current rating: 0.5 Amps min
- Contact Resistance: 30 ohms max.
- Insulation Resistance: 100M ohms min.
- Withstanding Voltage: 500V AC for 1 minute
- Temperature Rating: Operating temperature: -20°C to +85°C
- Environmental: Lead free, RoHS compliant.



ADAM TECH

909 Rahway Avenue, Union, NJ 07083
 Phone: 908-687-5000 Fax: 908-687-5710

TITLE: DISPLAYPORT RECEPTACLE, R/A, SMT TYPE
 SEL GOLD PLATED, W/ MOUNTING FLANG

UNLESS OTHERWISE SPECIFIED ALL DIMENSIONS ARE INCHES [MM]	
TOLERANCES: EXCEPT AS NOTED	
INCHES	HOLDS
.X ± .10	± .10
.XX ± .020	± .015
.XXX ± .015	± .010
.XXX ± .015	± .010
APPROVALS	DATE
DRAWN	DY
CHECKED	
APPROVED	

SIZE	PART NO.	REV.
X	DPC-F-S-RA-TSMT-MF	A
REF:	S00013T	SCALE: NTS
		SHEET 1 OF 1