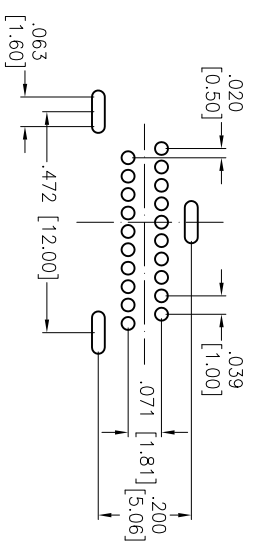
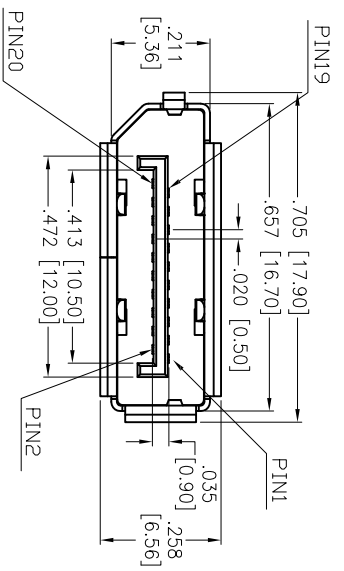
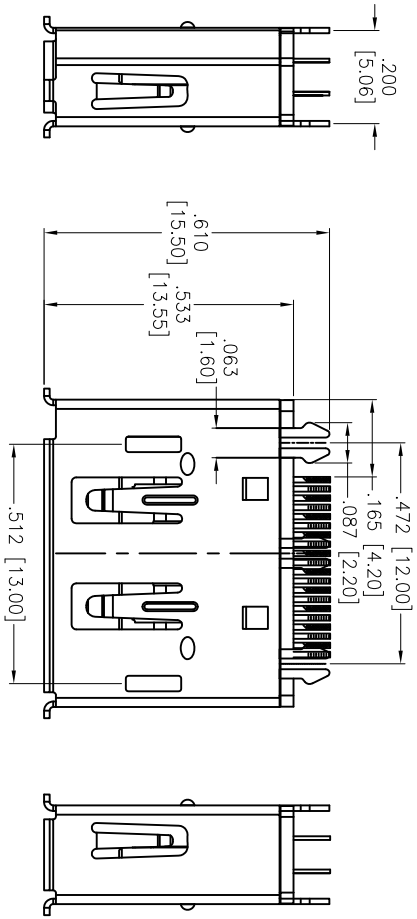
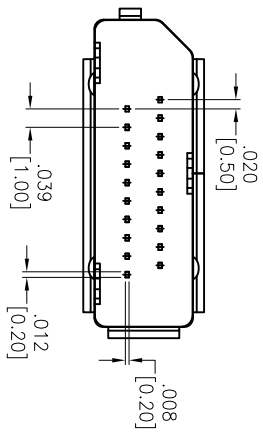


Rev	AWO #	Description	Date	Appr
-		PRELIMINARY	2/18/14	

APPROVED: _____
 DATE: _____ TITLE: _____



RECOMMENDED PCB LAYOUT

SPECIFICATIONS:

Material:
 Housing: Hi-temp thermoplastic, rated UL 94V-0
 Contact: Brass
 Shell: Brass, Nickel plated
 Plating:
 10u" Gold over Nickel underplate on contact area,
 Tin over Copper underplate on PCB tails

Electrical:
 Operating voltage: 40V AC (RMS)
 Current rating: 0.5 Amps min
 Contact Resistance: 30 mohms Initial.
 Insulation Resistance: 100 Mohms min.
 Withstanding Voltage: 500V AC for 1 minute

Mechanical:
 Durability: 10,000 cycles
 Temperature Rating:
 Operating temperature: -40°C to +85°C
 Environmental:
 Lead free, RoHS compliant.



UNLESS OTHERWISE SPECIFIED
 ALL DIMENSIONS ARE IN INCHES [MM]
 TOLERANCES: EXCEPT AS NOTED

INCHES	HOLES
.X ± .10	ØX ± .10
.XX ± .020	ØXX ± .015
.XXX ± .015	ØXXX ± .010

ADAM TECH
 909 Rahway Avenue, Union, NJ 07083
 Phone: 908-687-5000 Fax: 908-687-5710

TITLE: DISPLAY/PORT RECEPTACLE, VERTICAL,
 SINGLE PORT, 20 PIN, GOLD PLATED

APPROVALS	DATE	SIZE	PART NO.	REV.
DRAWN	HR	2/18/14		
CHECKED	LL	2/18/14	DPC-F-S-VT-10	
APPROVED				

REF: 500157C SCALE: NTS SHEET 1 OF 1