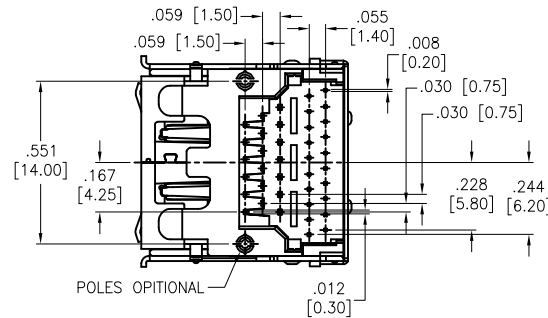
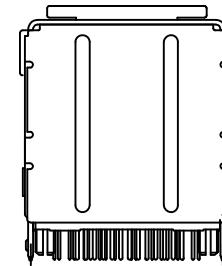
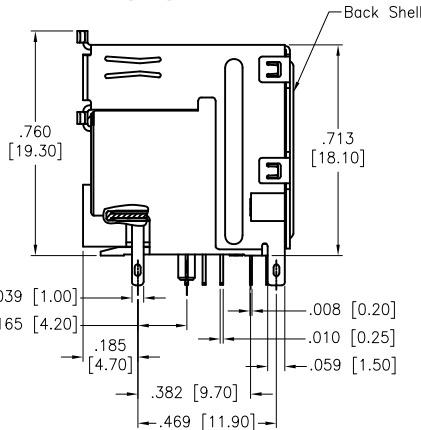
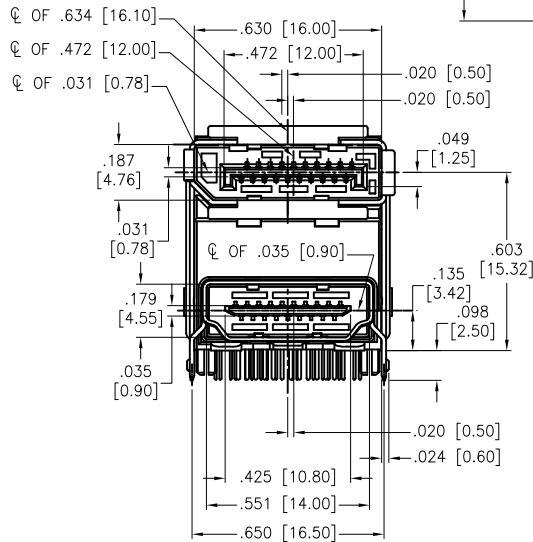
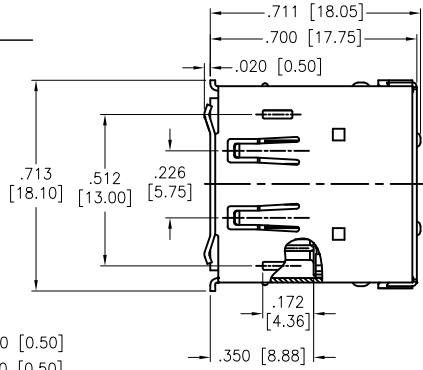


APPROVED: _____

DATE: _____ TITLE: _____

Rev	AWO #	Description	Date	Appr
-		RELEASED	07/11/16	



SPECIFICATIONS:

- Material:
- Housing: Thermoplastic, rated UL 94V-0
- Contact: Copper Alloy
- Shell: Copper Alloy, Nickel plated
- Back Shell: Steel, Nickel plated
- Plating:
- Gold flash over Nickel underplate on contact area,
- Tin over Copper underplate on PCB tails
- Electrical:
- Operating voltage: 40 VAC max
- Current rating: 0.5 Amps max
- Insulation resistance: 150 Mohms min
- Withstanding Voltage: 300 VAC for 1 minute
- Temperature Rating:
- Operating temperature: -25°C to +85°C
- Environmental:
- Lead free, RoHS compliant.



UNLESS OTHERWISE SPECIFIED ALL DIMENSIONS ARE INCHES [MM] TOLERANCES: EXCEPT AS NOTED	
INCHES	HOLES
.X ± .10	∅X ± .10
.XX ± .020	∅XX ± .015
.XXX ± .015	∅XXX ± .010
APPROVALS	
DRAWN	TW
CHECKED	
APPROVED	
DATE	
07/11/16	

ADAM TECH		
909 Rahway Avenue, Union, NJ 07083 Phone: 908-687-5000 Fax: 908-687-5710		
TITLE		
DISPLAYPORT OVER HDMI RECEPTACLE RIGHT ANGLE, DIP TYPE, WITH PEG		
SIZE	PART NO.	REV.
X	DPC-HDMI-D-RA-1-P	-
REF: S00097C	SCALE: NTS	SHEET 1 OF 2

6

5

4

3

2

1

D

D

C

C

B

B

A

A

6

5

4

3

2

1

6

5

4

3

2

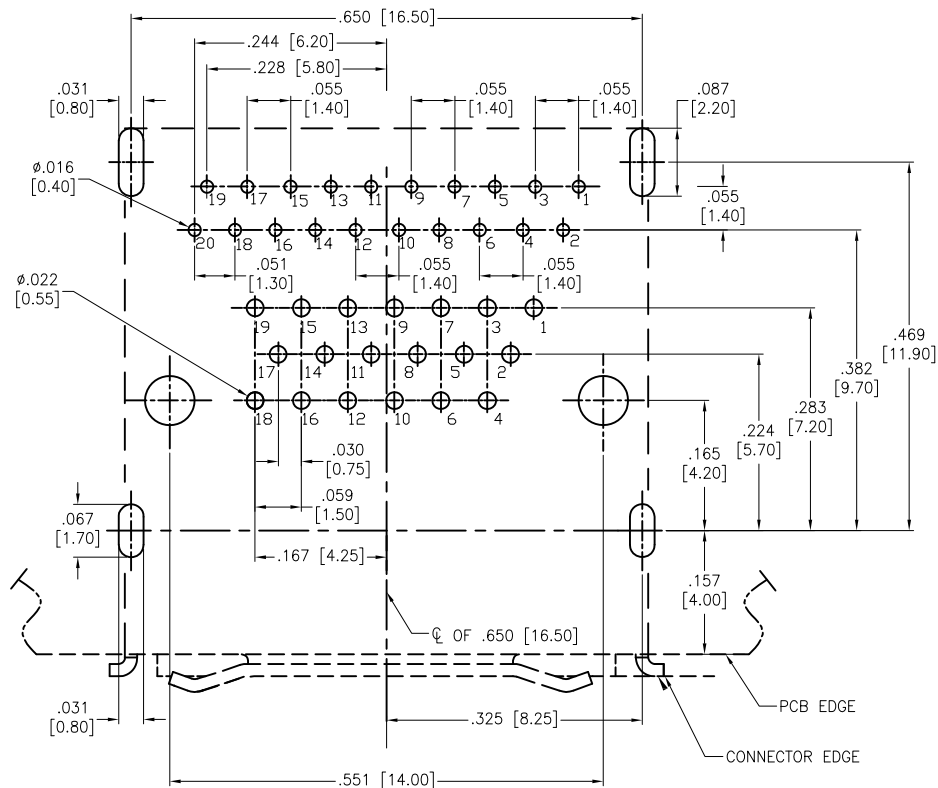
1

APPROVED: _____

DATE: _____ TITLE: _____

Rev	AWO #	Description	Date	Appr
-----	-------	-------------	------	------

SEE SHT 1 OF 2 FOR REVISION



RECOMMENDED PCB LAYOUT

UNLESS OTHERWISE SPECIFIED
 ALL DIMENSIONS ARE INCHES [MM]
 TOLERANCES: EXCEPT AS NOTED
 INCHES HOLES

.X	± .10	∅X	± .10
.XX	± .020	∅XX	± .015
.XXX	± .015	∅XXX	± .010

ADAM TECH

909 Rahway Avenue, Union, NJ 07083
Phone: 908-687-5000 Fax: 908-687-5710

TITLE
**DISPLAYPORT OVER HDMI RECEPTACLE
RIGHT ANGLE, DIP TYPE, WITH PEG**

APPROVALS		DATE
DRAWN	HR	6/3/14
CHECKED	YC	6/3/14
APPROVED		

SIZE X	PART NO. DPC-HDMI-D-RA-1-P	REV. -
REF: S00097C	SCALE: NTS	SHEET 2 OF 2

6

5

4

3

2

1