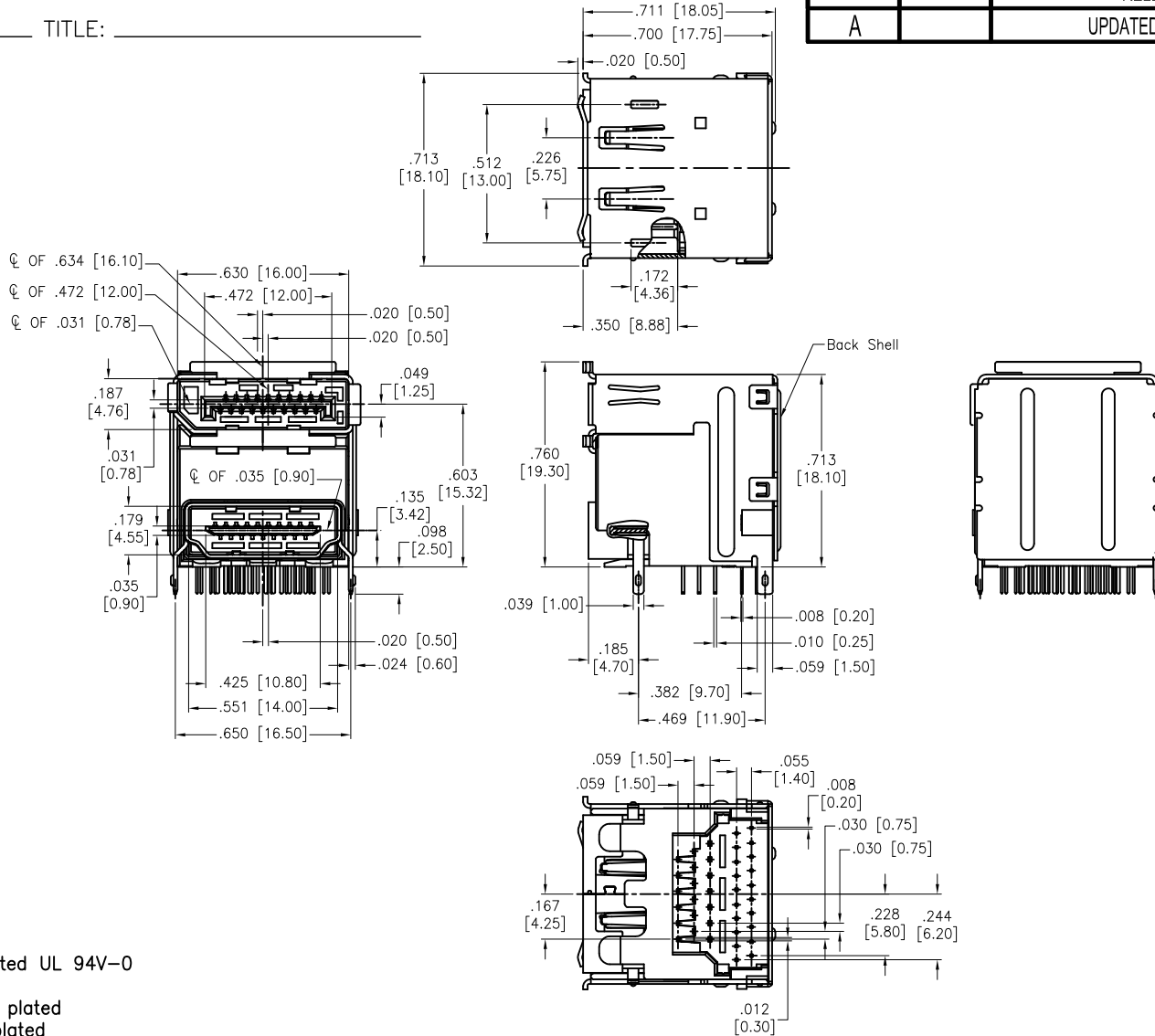


APPROVED: _____

DATE: _____ TITLE: _____

Rev	AWO #	Description	Date	Appr
-		RELEASED	6/3/14	
A		UPDATED DRAWING	07/11/16	TW/TW



SPECIFICATIONS:

Material:
Housing: Thermoplastic, rated UL 94V-0
Contact: Copper Alloy
Shell: Copper Alloy, Nickel plated
Back Shell: Steel, Nickel plated
Plating:
Gold flash over Nickel underplate on contact area,
Tin over Copper underplate on PCB tails
Electrical:
Operating voltage: 40 VAC max
Current rating: 0.5 Amps max
Insulation resistance: 150 Mohms min
Withstanding Voltage: 300 VAC for 1 minute
Temperature Rating:
Operating temperature: -25°C to +85°C
Environmental:
Lead free, RoHS compliant.



UNLESS OTHERWISE SPECIFIED ALL DIMENSIONS ARE INCHES [MM] TOLERANCES: EXCEPT AS NOTED		ADAM TECH 909 Rahway Avenue, Union, NJ 07083 Phone: 908-687-5000 Fax: 908-687-5710	
INCHES HOLES			
.X ± .10	∅X ± .10	TITLE: DISPLAYPORT OVER HDMI RECEPTACLE RIGHT ANGLE, DIP TYPE	
.XX ± .020	∅XX ± .015		
.XXX ± .015	∅XXX ± .010		
APPROVALS		DATE	
DRAWN	HR	6/3/14	
CHECKED	YC	6/3/14	
APPROVED			
SIZE X	PART NO. DPC-HDMI-D-RA-1	REV. A	
REF: S00097C	SCALE: NTS	SHEET 1 OF 2	

6

5

4

3

2

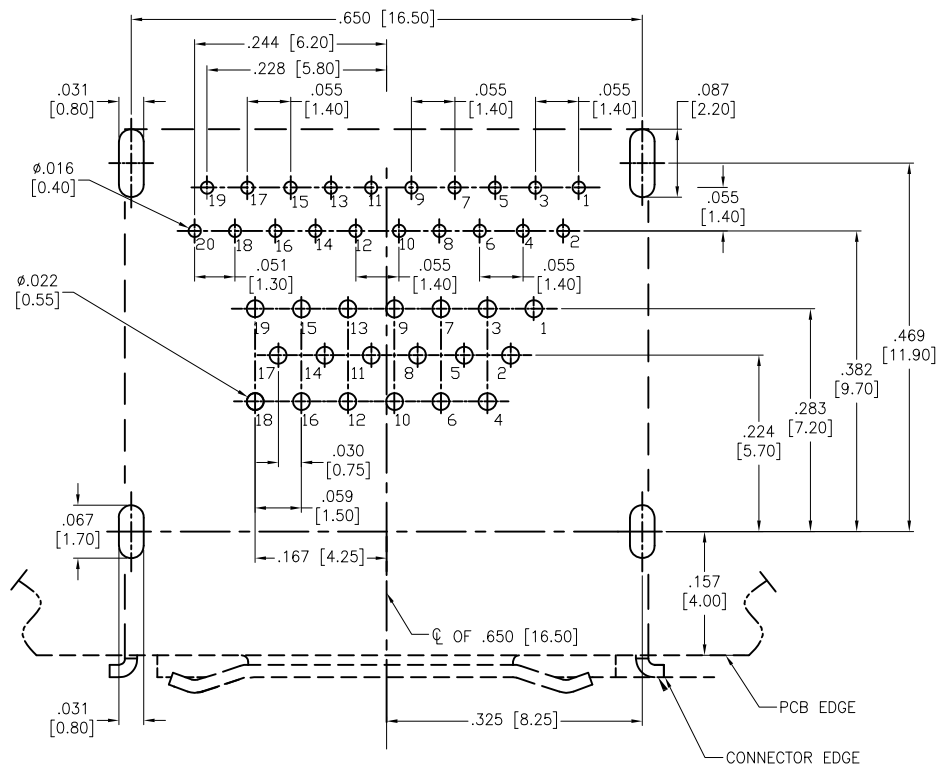
1

APPROVED: _____

DATE: _____ TITLE: _____

Rev	AWO #	Description	Date	Appr
-----	-------	-------------	------	------

SEE SHT 1 OF 2 FOR REVISION



RECOMMENDED PCB LAYOUT

UNLESS OTHERWISE SPECIFIED
 ALL DIMENSIONS ARE INCHES [MM]
 TOLERANCES: EXCEPT AS NOTED
 INCHES HOLES

.X	± .10	∅X	± .10
.XX	± .020	∅XX	± .015
.XXX	± .015	∅XXX	± .010

ADAM TECH

909 Rahway Avenue, Union, NJ 07083
Phone: 908-687-5000 Fax: 908-687-5710

TITLE
**DISPLAYPORT OVER HDMI RECEPTACLE
RIGHT ANGLE, DIP TYPE**

APPROVALS		DATE
DRAWN	HR	6/3/14
CHECKED	YC	6/3/14
APPROVED		

SIZE X	PART NO. DPC-HDMI-D-RA-1	REV. A
REF: S00097C	SCALE: NTS	SHEET 2 OF 2

6

5

4

3

2

1