

6

5

4

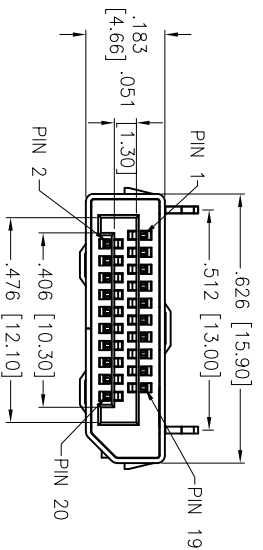
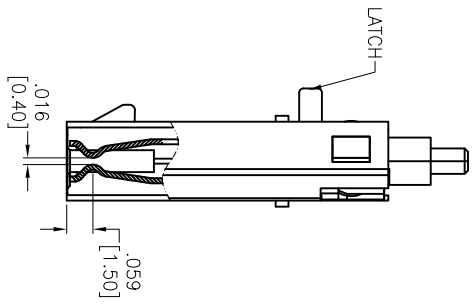
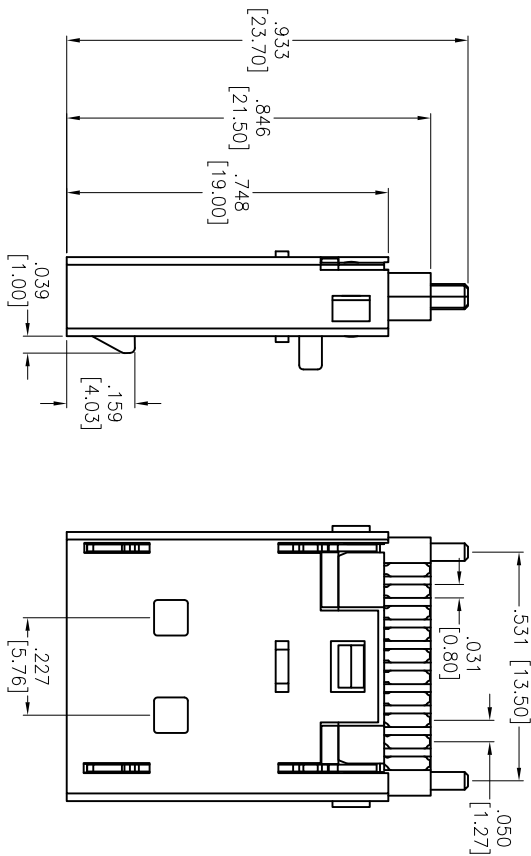
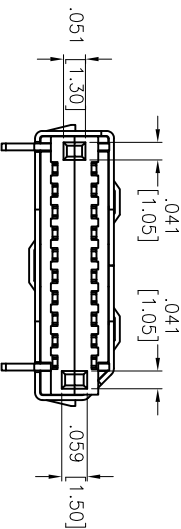
3

2

1

APPROVED: _____
 DATE: _____ TITLE: _____

Rev	AWO #	Description	Date	Appr
-		RELEASED	1/26/15	
A		UPDATED DRAWING	3/11/15	HR/NP



SPECIFICATIONS:

- Material: Insulator: Hi-Temp Thermoplastic, rated UL 94V-0
- Insulator color: Black
- Contacts: Brass
- Shield: SPCC, Nickel plated
- Plating: Gold flash over Nickel underplate on contact area
- Electrical: Operating voltage: 40 VAC max
- Current rating: 0.5 Amps max
- Contact resistance: 30 mohms max
- Insulation resistance: 100 Mohms min
- Dielectric withstanding voltage: 500 VAC for 1 minute
- Temperature Rating: Operating temperature: -25°C to +85°C
- Environmental: Lead free, RoHS compliant.

ADAM TECH

909 Rahway Avenue, Union, NJ 07083
 Phone: 908-687-5000 Fax: 908-687-5710

TITLE: DISPLAYPORT 20 PIN PLUG, ASSEMBLY TYPE
 GOLD PLATED, SOLDER TYPE, W/ LATCH

UNLESS OTHERWISE SPECIFIED ALL DIMENSIONS ARE INCHES [MM]	
TOLERANCES: EXCEPT AS NOTED	HOLDS
.X ± .10	ØXX ± .10
.XX ± .020	ØXXX ± .015
.XXX ± .015	ØXXXX ± .010
APPROVALS	
DRAWN	HR
CHECKED	NP
DATE	DATE
1/26/15	1/26/15

SIZE	PART NO.	REV.
X	DPC-M-SD-CS1	A
REF: S00075C	SCALE: NTS	SHEET 1 OF 1



6

5

4

3

2

1