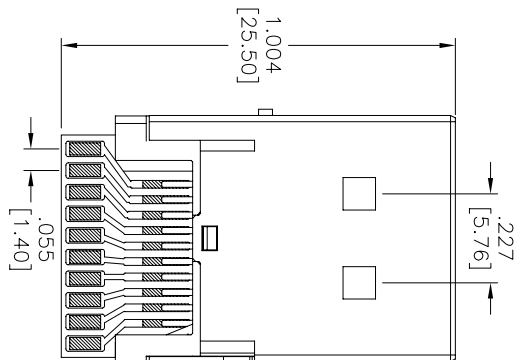
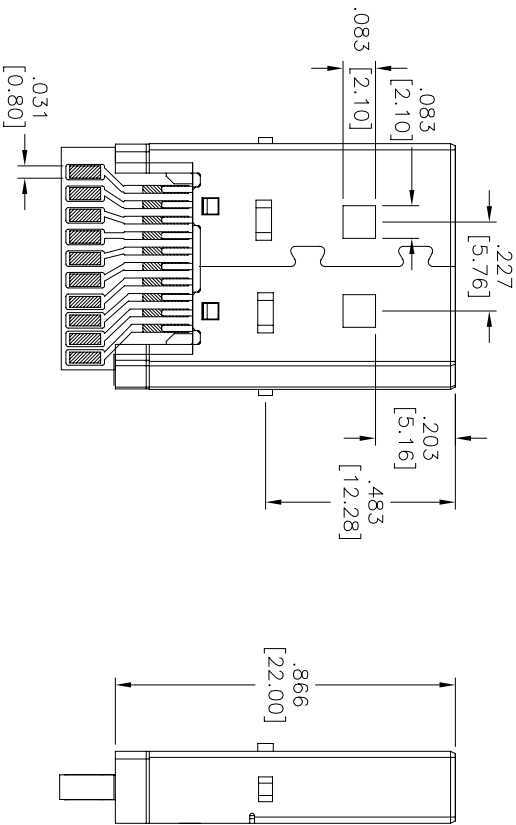
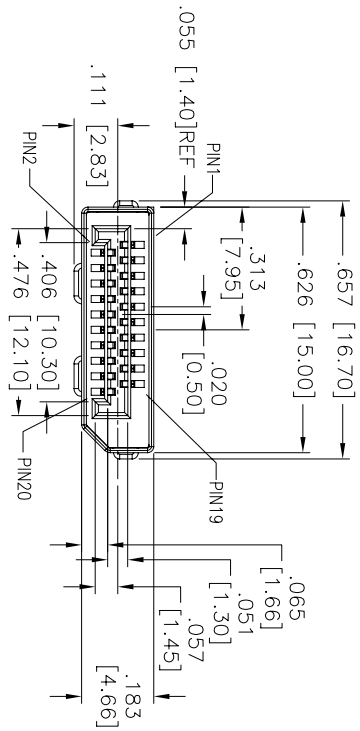
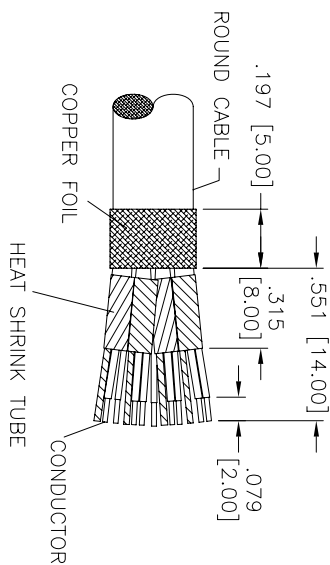


Rev	AWO #	Description	Date	Appr
-		RELEASED	1/09/09	

CABLE TREATMENT



**SPECIFICATIONS:**

**Material:**  
Housing: LCP, rated UL 94V-0  
**Contact:** Copper Alloy  
**Shell:** Copper Alloy, nickel plated  
**Plating:**  
15u" Gold over Nickel underplate overall

**Electrical:**  
Operating voltage: 40 VAC  
Current rating: 0.5 Amps min  
Withstanding Voltage: 500V AC for 1 minute  
Insulation Resistance: 100M ohms min.  
Conduct Resistance: 30 ohms max.  
**Temperature Rating:**  
Operating temperature: -25°C to +85°C  
Environment:  
Lead free, RoHS compliant.  
Recommended soldering temp: 260°C for 5 sec.

**A**

**A**

**ADAM TECH**

909 Railway Avenue, Union, NJ 07083  
Phone: 908-687-5000 Fax: 908-687-5710

**TITLE**  
DISPLAYPORT 20 PIN PLUG, MOLDING TYPE  
15u" GOLD PLATED

UNLESS OTHERWISE SPECIFIED ALL DIMENSIONS ARE NOTED TOLERANCES: EXCEPT AS NOTED	
INCHES	MM
.X ± .10	ØX ± .10
.XX ± .020	ØXX ± .015
.XXX ± .015	ØXXX ± .010
APPROVALS	DATE
DRAWN DY	1/09/09
CHECKED	
APPROVED	

SIZE	PART NO.	REV.
X	DPC-M-SD-M-15	
REF:	S00106T	
SCALE:	NIS	
SHEET	1 OF 1	

**6**

**5**

**4**

**3**

**2**

**1**

