

6

5

4

3

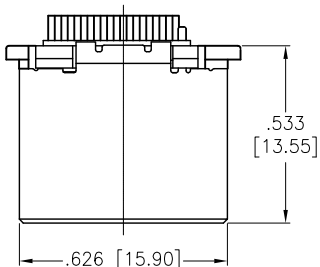
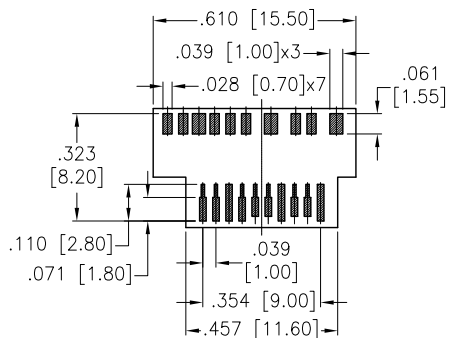
2

1

APPROVED: _____

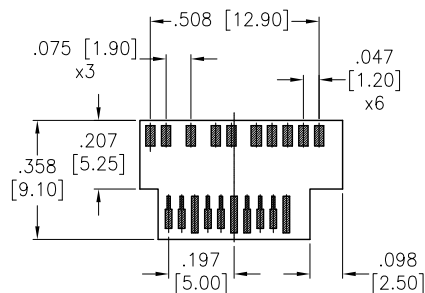
DATE: _____ TITLE: _____

Rev	AWO #	Description	Date	Appr
-		RELEASED	6/29/16	

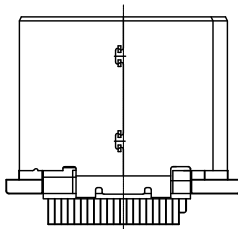
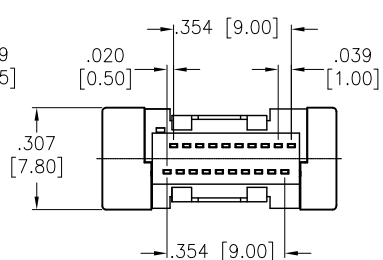
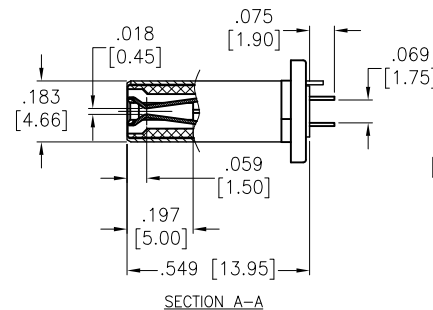
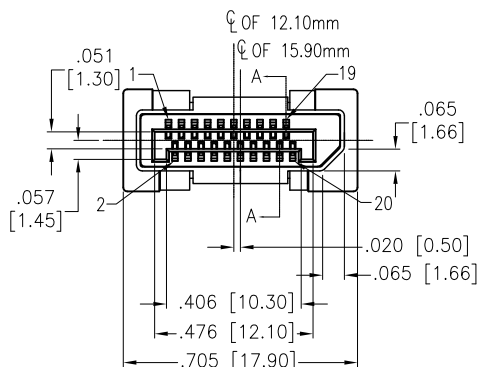


No.	Signal Type	No.	Signal Type
1	Out	11	GND
2	GND	12	Out
3	Out	13	CONFIG
4	Out	14	CONFIG
5	GND	15	I/O
6	Out	16	GND
7	Out	17	I/O
8	GND	18	In
9	Out	19	PWR RTN
10	Out	20	PWR Out

RECOMMENDED PCB LAYOUT
T=1.60mm(Front View)



RECOMMENDED PCB LAYOUT
T=1.60mm(Back View)



SPECIFICATIONS:

Material:
Housing: Hi-temp thermoplastic, rated UL 94V-0, Color: Black
Contact: Brass
Shell: Brass, Nickel plated
Plating:

15u" Gold over Nickel underplate on contact area,
Tin over Nickel underplate on solder tails

Electrical:
Operating voltage: 40 VAC max
Current rating: 0.5 Amps per Contact
Contact Resistance: 30 mohms max
Insulation Resistance: 100 Mohms min.
Withstanding Voltage: 500 VAC for 1 minute

Temperature Rating:
Operating temperature: -20°C to +85°C

Environmental:
Lead free, RoHS compliant.



UNLESS OTHERWISE SPECIFIED ALL DIMENSIONS ARE INCHES [MM] TOLERANCES: EXCEPT AS NOTED		
INCHES		
.X ± .10	∅.X ± .10	HOLES
.XX ± .020	∅.XX ± .015	
.XXX ± .015	∅.XXX ± .010	
APPROVALS		DATE
DRAWN	AY	6/29/16
CHECKED	TW	6/29/16
APPROVED		

ADAM TECH

909 Rahway Avenue, Union, NJ 07083
Phone: 908-687-5000 Fax: 908-687-5710

TITLE DISPLAYPORT PLUG, MOLDING TYPE WITHOUT SHELL LOCK, 15u" SEL GOLD PLATED		
SIZE X	PART NO. DPC-M-SD-M2-15	REV. -
REF: S00078T	SCALE: NTS	SHEET 1 OF 1

6

5

4

3

2

1