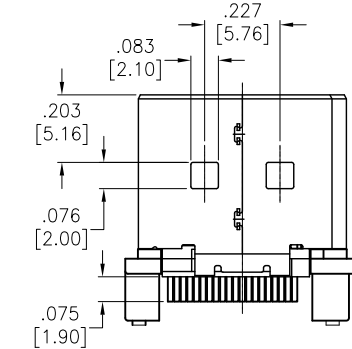
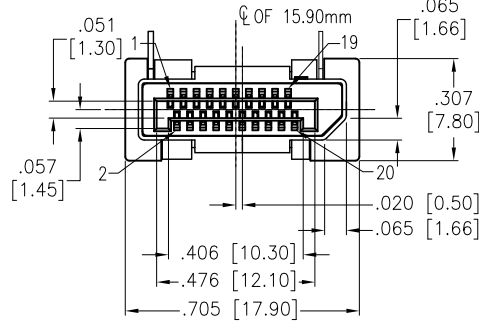
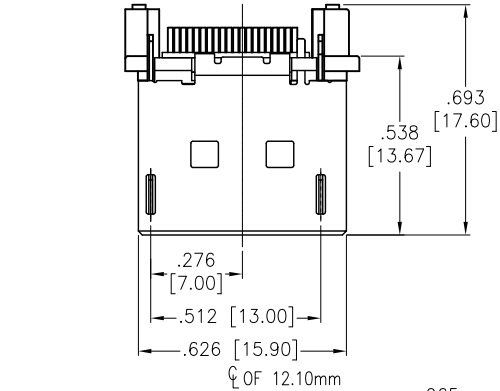
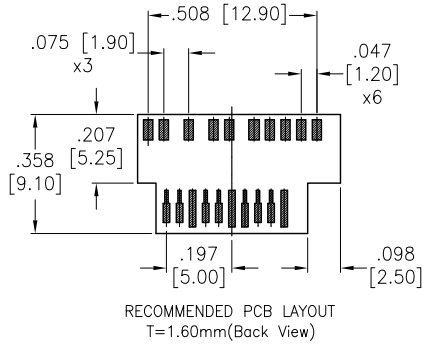
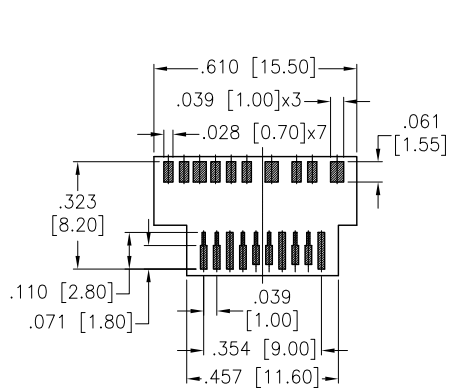
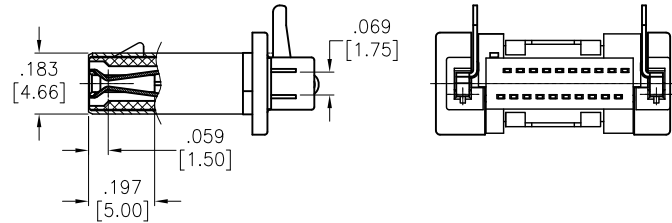


APPROVED: \_\_\_\_\_  
 DATE: \_\_\_\_\_ TITLE: \_\_\_\_\_

|     |       |             |        |      |
|-----|-------|-------------|--------|------|
| Rev | AWO # | Description | Date   | Appr |
| -   |       | RELEASED    | 7/7/16 |      |



| Pin No. | Signal Type | Pin No. | Signal Type |
|---------|-------------|---------|-------------|
| 1       | Out         | 11      | GND         |
| 2       | GND         | 12      | Out         |
| 3       | Out         | 13      | CONFIG      |
| 4       | Out         | 14      | CONFIG      |
| 5       | GND         | 15      | I/O         |
| 6       | Out         | 16      | GND         |
| 7       | Out         | 17      | I/O         |
| 8       | GND         | 18      | In          |
| 9       | Out         | 19      | PWR RTN     |
| 10      | Out         | 20      | PWR Out     |



**SPECIFICATIONS:**

Material:  
 Housing: Hi-temp thermoplastic, rated UL 94V-0, Color: Black  
 Contact: Brass  
 Shell: Brass, Nickel plated  
 Spring: Stainless Steel  
 Plating:  
 15u" Gold over Nickel underplate on contact area,  
 Tin over Nickel underplate on solder tails

Electrical:  
 Operating voltage: 40 VAC max  
 Current rating: 0.5 Amps per Contact  
 Contact Resistance: 30 mohms max  
 Insulation Resistance: 100 Mohms min.  
 Withstanding Voltage: 500 VAC for 1 minute  
 Temperature Rating:  
 Operating temperature: -20°C to +85°C  
 Environmental:  
 Lead free, RoHS compliant.



UNLESS OTHERWISE SPECIFIED  
 ALL DIMENSIONS ARE INCHES [MM]  
 TOLERANCES: EXCEPT AS NOTED

| INCHES      | HOLES       |
|-------------|-------------|
| .X ± .10    | ØX ± .10    |
| .XX ± .020  | ØXX ± .015  |
| .XXX ± .015 | ØXXX ± .010 |

**ADAM TECH**

909 Rahway Avenue, Union, NJ 07083  
 Phone: 908-687-5000 Fax: 908-687-5710

| APPROVALS |    | DATE   |
|-----------|----|--------|
| DRAWN     | AY | 7/7/16 |
| CHECKED   | TW | 7/7/16 |
| APPROVED  |    |        |

|   |                              |              |
|---|------------------------------|--------------|
| TITLE<br>DISPLAYPORT PLUG, MOLDING TYPE, MEAN LATCH<br>WITHOUT SHELL LOCK, 15u" SEL-GOLD PLATED |                              |              |
| SIZE<br>X   | PART NO.<br>DPC-M-SD-M2-L-15 | REV.<br>-    |
| REF: S00078T  | SCALE: NTS                   | SHEET 1 OF 1 |