

6

5

4

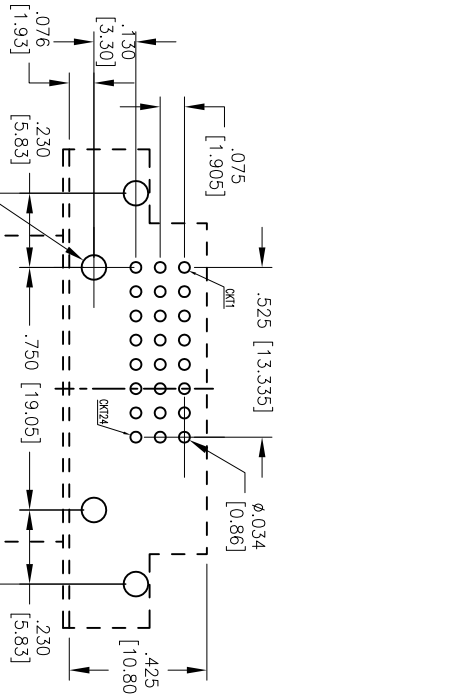
3

2

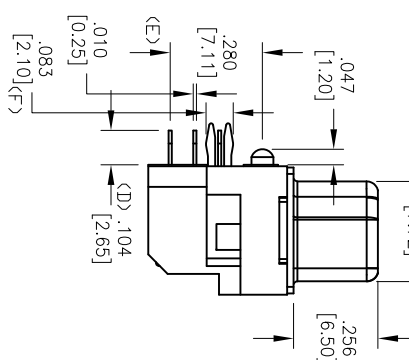
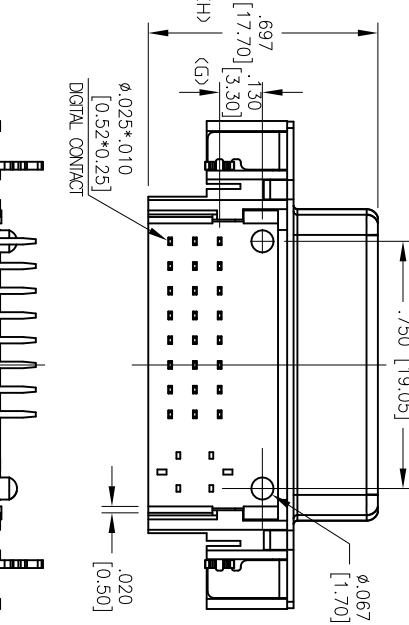
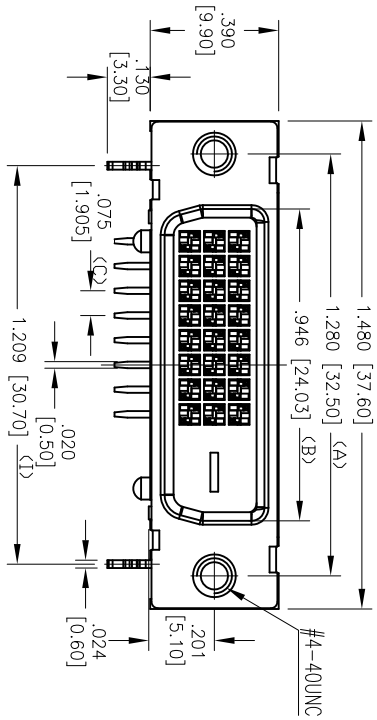
1

APPROVED: _____
DATE: _____ TITLE: _____

Rev	AWO #	Description	Date	Appr
-		RELEASED	5/11/05	
A		REVISED DIM.	8/17/11	
B		REDRAWN	11/11/11	
C		UPDATE SHAPE	10/15/14	HR/NP
D		UPDATE SHAPE & DIM.	11/19/14	AV/NP

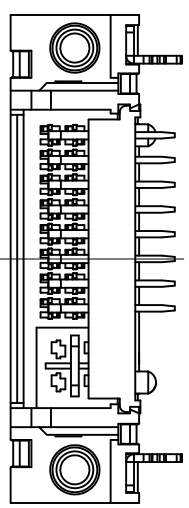


RECOMMENDED PCB LAYOUT



SPECIFICATIONS:

Material: Insulator: PBT, glass reinforced, rated UL 94V-0
 Insulator color: Ivory
 Latch: PA66, rated UL 94V-0, color: Ivory
 Contacts: Copper Alloy
 Shell: SPCC, Nickel plated
 Boardlock: SPCC, Tin plated
 Plating: Gold flash over Nickel underplate on mating area, Tin over Copper underplate on tails
 Electrical: Operating voltage: 40 VAC max
 Current rating: 1.5 Amps max
 Contact resistance: 20 mohms max
 Insulation resistance: 1,000 Mohms min
 Dielectric withstanding voltage: 500 VDC for 1 minute
 Temperature Rating: Operating temperature: -55°C to +85°C
 Environmental: Lead free, RoHS compliant



UNLESS OTHERWISE SPECIFIED ALL DIMENSIONS ARE IN INCHES [MM] TOLERANCES: EXCEPT AS NOTED

INCHES: .X ± .10
 .XX ± .020
 .XXX ± .015
 .XXX ± .010

HOLES: ØX ± .10
 ØXXX ± .015
 ØXXX ± .010

APPROVALS: DRAWN: SS DATE: 5/11/05
 CHECKED: APPROVED: TITLE: DIGITAL VIDEO INTERFACE SOCKET
 RIGHT ANGLE, PCB TAILS, DIGITAL
 SIZE: X PART NO.: DIV-SL-24-1
 REF: S0002T SCALE: NTS SHEET 1 OF 1

ADAM TECH

909 Railway Avenue, Union, NJ 07083
 Phone: 908-687-5000 Fax: 908-687-5710



6

5

4

3

2

1