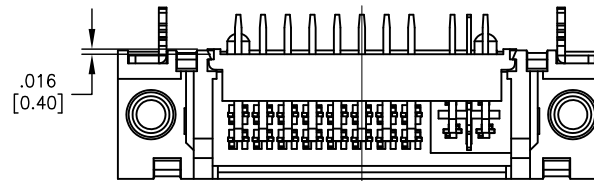
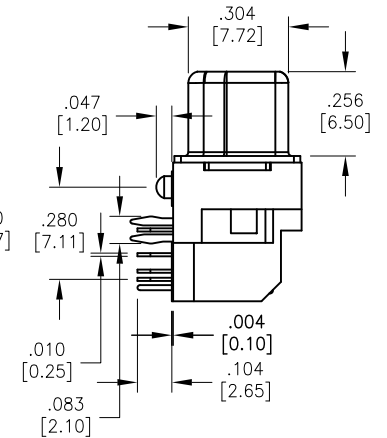
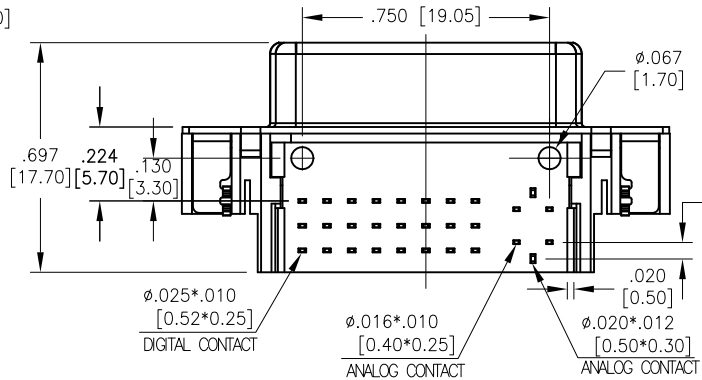
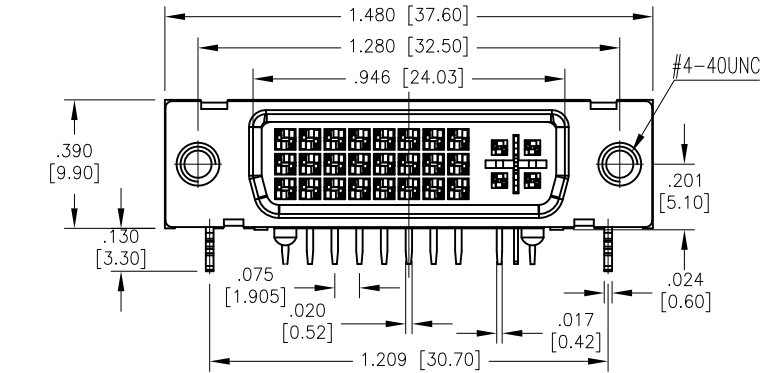
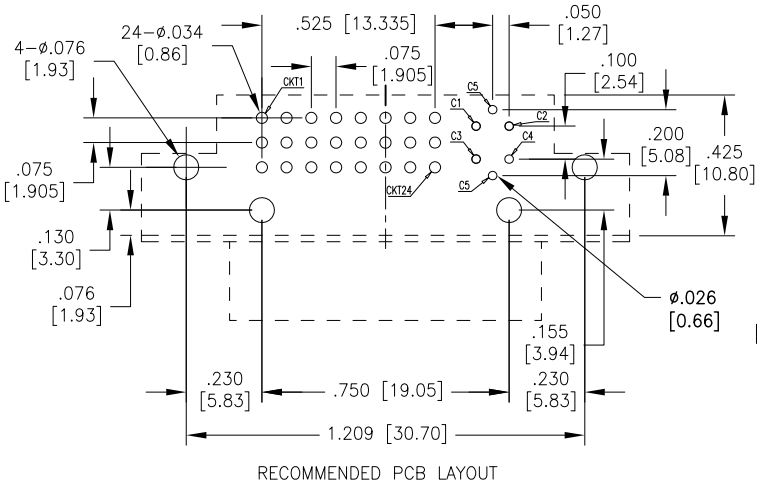


APPROVED: _____
 DATE: _____ TITLE: _____

Rev	AWO #	Description	Date	Appr
-		RELEASED	5/11/05	
A		REDRAWN	9/26/11	
B		REDRAWN	6/3/14	AY/YC
C		UPDATE DIM.	10/19/15	AY/GC



SPECIFICATIONS:

Material:
 Insulator: PBT, glass reinforced, rated UL 94V-0
 Insulator color: Ivory
 Latch: PA66, rated UL 94V-0, color: Ivory
 Contacts: Copper Alloy
 Shell: SPCC, Nickel plated
 Boardlock: SPCC, Tin plated
Plating:
 Gold flash over Nickel underplate on mating area,
 Tin over Copper underplate on tails

Electrical:
 Operating voltage: 40 VAC max
 Current rating: 1.5 Amps max
 Contact resistance: 20 mohms max
 Insulation resistance: 1,000 Mohms min
 Dielectric withstanding voltage: 500 VDC for 1 minute
 Temperature Rating:
 Operating temperature: -55°C to +85°C

Environmental:
 Lead free, RoHS compliant



UNLESS OTHERWISE SPECIFIED
 ALL DIMENSIONS ARE INCHES [MM]
 TOLERANCES: EXCEPT AS NOTED

.X	± .10	∅X	± .10
.XX	± .020	∅.XX	± .015
.XXX	± .015	∅.XXX	± .010

APPROVALS		DATE
DRAWN	SS	5/11/05
CHECKED		
APPROVED		

ADAM TECH
 909 Rahway Avenue, Union, NJ 07083
 Phone: 908-687-5000 Fax: 908-687-5710

TITLE DIGITAL VIDEO INTERFACE SOCKET RIGHT ANGLE, PCB TAILS, ANALOG		
SIZE X	PART NO. DVI-SL-24-2	REV. C
REF: S00027T	SCALE: NTS	SHEET 1 OF 1