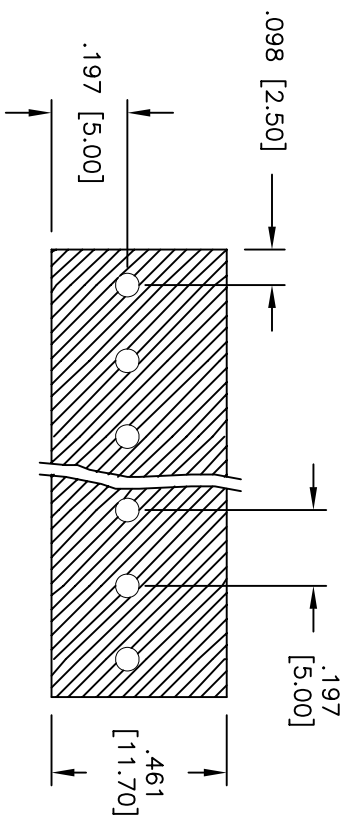
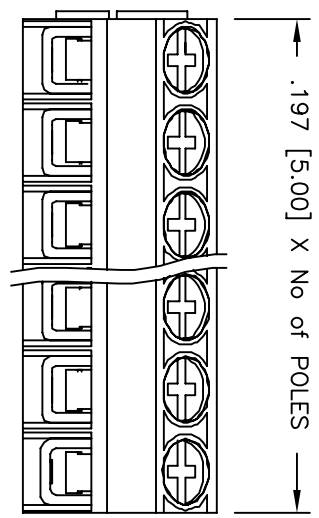
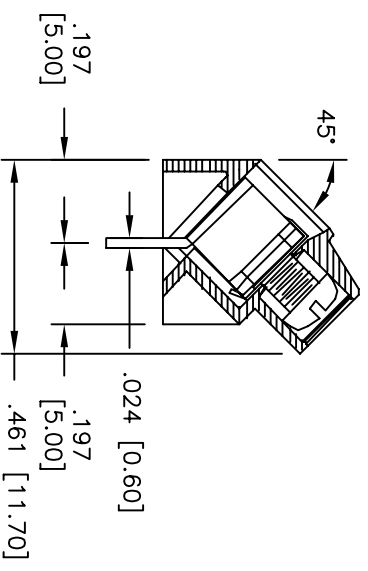
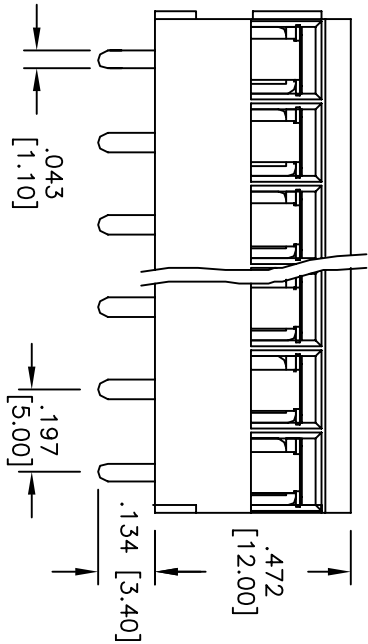


Rev	AWO #	Description	Date	Appr
-	9028	RELEASED	9/01/08	

APPROVED: _____
 DATE: _____ TITLE: _____



Recommended PCB Layout



SPECIFICATIONS:

Material:
 Insulator: PA66, rated UL 94V-0
 Insulator color: Green
 Contact: Brass, Tin plated.
 Clamp: Stainless Steel
 Screw: Steel, M2.5 Zn plated.

Electrical:
 Operation voltage: 300 VAC max
 Current rating: 10 Amps max per Pole
 Contact resistance: 20 mohms max
 Insulation resistance: 500 Mohms min @ DC500V
 Dielectric withstanding voltage: 1500 VAC for 1 minute

Mechanical:
 Screw Torque: 4 Kgf-cm (max.)
 Wire Range: 14-26 Awg.
 Environmental:
 Operating temperature: -40°C to +105°C
 Lead free, RoHS compliant.
 Recommended soldering temp: 235°C for 5 sec.



ADAM TECH

909 Rahway Avenue, Union, NJ 07083
 Phone: 908-687-5000 Fax: 908-687-5710

TITLE: **TERMINAL BLOCK, CAGE CLAMP, 45°C ENTRY**
 .197" [5.00] PITCH

UNLESS OTHERWISE SPECIFIED ALL DIMENSIONS ARE MM [INCHES] TOLERANCES: EXCEPT AS NOTED	
INCHES	HOLDS
.X ± .10	ØX ± .10
.XX ± .020	ØXX ± .015
.XXX ± .015	ØXXX ± .010
APPROVALS	DATE
DRAWN	DY
CHECKED	9/01/08
APPROVED	

SIZE	PART NO.	REV.
X	EB10-XX-C	-
REF:	SCALE: NTS	SHEET 1 OF 1