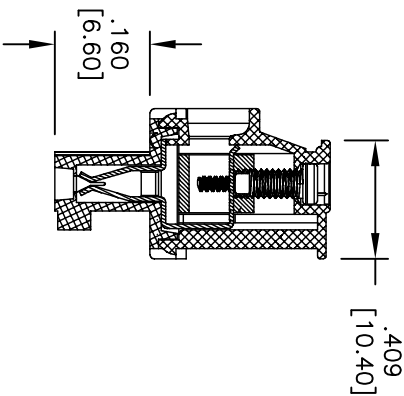
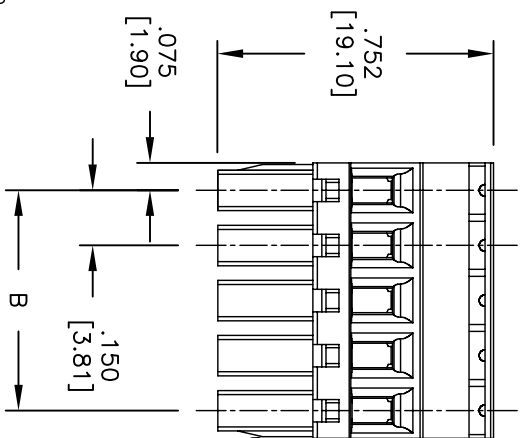
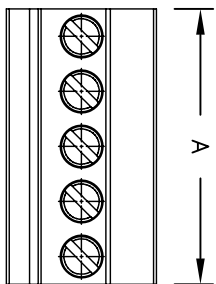


APPROVED: _____
 DATE: _____ TITLE: _____

Rev	AWO #	Description	Date	Appr
-		RELEASED	9/10/08	
A		REDRAWN	7/16/12	



	Tolerance
2-6P	±.008 [0.15]
7-12P	±.008 [0.20]
13-16P	±.010 [0.25]
17-24P	±.012 [0.30]

Positions: 02 thru 20
 A = .150 [3.81] x No. of Positions
 B = .150 [3.81] x No. of Spaces

SPECIFICATIONS:

- Material: Insulator: Thermoplastic, rated UL 94V-0
- Insulator color: Green
- Clamp: Brass, Nickel plated
- Screw: Steel, M2/Zn plated.
- Contacts: Phosphor Bronze, Tin plated.
- Electrical: Operation voltage: 300 VAC
- Current rating: 8 Amps
- Withstanding Voltage: 1.6KV
- Mechanical: Solid wire(AWG): 16-28
- Stranded wire(AWG): 16-28
- Wire range: 1.5mm²
- Torque(Lb-in): 1.7
- Wire strip length(mm): 6-7
- Temperature Rating: Operating temperature: -40°C to +115°C
- Environmental: Lead free, RoHS compliant.

ADAM TECH

909 Rahway Avenue, Union, NJ 07083
 Phone: 908-687-5000 Fax: 908-687-5710

TITLE: TERMINAL BLOCK, PLUGS FOR PLUGGABLE, STRAIGHT, REVERSED BODY, .150" [3.81] PITCH, SLOTTED SCREW

UNLESS OTHERWISE SPECIFIED ALL DIMENSIONS ARE MM [INCHES] TOLERANCES: EXCEPT AS NOTED	
INCHES	HOLES
.X ±.10	±.10
.XX ±.020	±.015
.XXX ±.015	±.010
APPROVALS	DATE
DRAWN DY	9/10/08
CHECKED	
APPROVED	

SIZE	PART NO.	REV.
X	EB12-XX-B-R-SL	A
REF: S0007T	SCALE: NTS	SHEET 1 OF 1



6 5 4 3 2 1