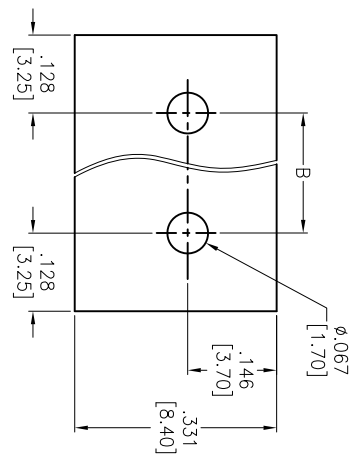
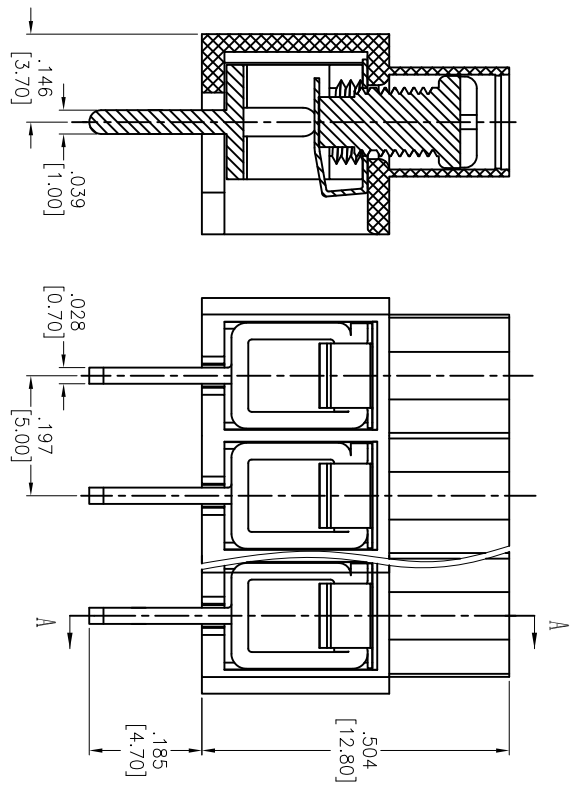
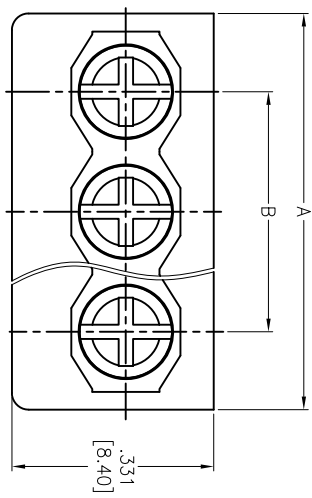


| Rev | AWO # | Description | Date   | Appr |
|-----|-------|-------------|--------|------|
| -   |       | RELEASED    | 2/7/14 |      |

APPROVED: \_\_\_\_\_  
 DATE: \_\_\_\_\_ TITLE: \_\_\_\_\_



Positions: 2 thru 24  
 A = .197 [5.00] x No. of Positions + .059 [1.50]  
 B = .197 [5.00] x No. of Spaces

**SPECIFICATIONS:**  
 Material: Insulator: PA66, rated UL 94V-0  
 Insulator color: Green  
 Contact: Brass, Nickel plated  
 Screw: M2.5, Steel, Zinc plated  
 Shrapnel: Phosphor Bronze, Nickel plated  
 Electrical:  
 Operation voltage: 300 VAC  
 Current rating: 15 Amps  
 Contact resistance: 20 mohms max  
 Insulation resistance: 500 Mohms min @ 500 VDC  
 Withstanding Voltage: 2.0 KVAC  
 Mechanical:  
 Wire range: 26-14 AWG, 2.5 mm<sup>2</sup>  
 Torque: 3.5 Lb-In, 0.4 Nm  
 Wire strip length: 6-7 mm  
 Temperature Rating:  
 Operating temperature: -40°C to +105°C  
 Environmental:  
 Lead free, RoHS compliant.

Environmental:  
 Lead free, RoHS compliant.



**ADAM TECH**  
 909 Rahway Avenue, Union, NJ 07083  
 Phone: 908-687-5000 Fax: 908-687-5710

**EURO BLOCK, .197 [5.00] PITCH**

| UNLESS OTHERWISE SPECIFIED<br>ALL DIMENSIONS ARE INCHES [MM] |            | TOLERANCES EXCEPT AS NOTED |        |
|--|------------|----------------------------|--------|
| .X   | ± .10      | ØXX                        | ± .10  |
| .XX  | ± .020     | ØXXX                       | ± .015 |
| .XXX   | ± .015     | ØXXXX                      | ± .010 |
| APPROVALS  |            | DATE                       |        |
| DRAWN  | HR         | 2/7/14                     |        |
| CHECKED  | AY         | 2/7/14                     |        |
| APPROVED   |            |                            |        |
| SIZE   | PART NO.   | REV.                       |        |
| X  | EB13A-XX-C | -                          |        |
| REF:   | S00067C    | SCALE:                     | NIS    |
|  |            | SHEET                      | 1 OF 1 |