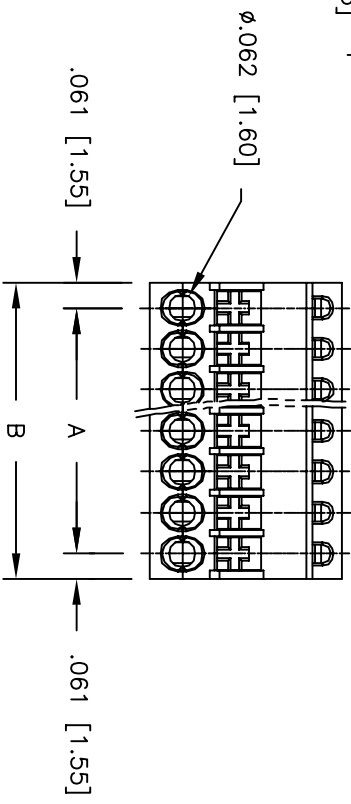
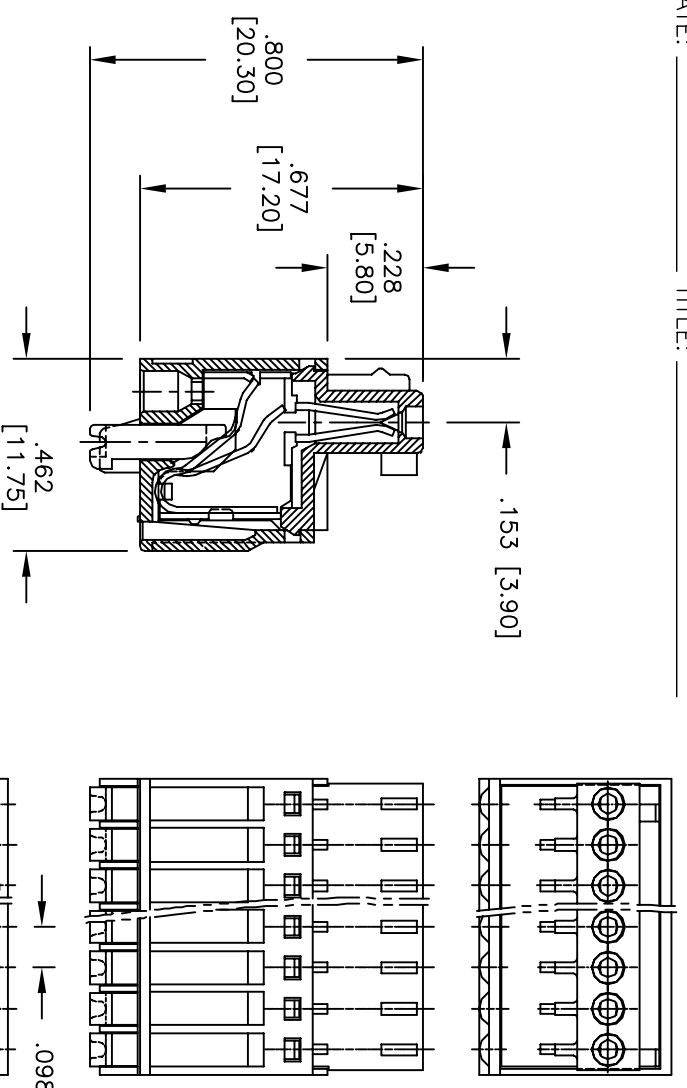


Rev	AWO #	Description	Date	Appr
-	7551	RELEASED	3/2/07	

APPROVED: _____
 DATE: _____ TITLE: _____



A = .098 [2.50] x No. OF POSITIONS -1
 B = .098 [2.50] x No. OF POSITIONS + .122 [3.10]

SPECIFICATIONS:

Material:

Insulator: PA66, rated UL 94V-0
 Insulator color: Green
 Metal Housing: Brass
 Screw: Steel

Electrical:

Operation voltage: 150 VAC max
 Current rating: 4 Amps max per Pole
 Contact resistance: 20 mohms max
 Insulation resistance: 500 Mohms min @ 500V
 Dielectric withstanding voltage: 1500 VAC for 1 minute
 Wire Range: 20-28 Awg.

Environmental:

Operating temperature: -55°C to +105°C

Environmental:

Lead free, RoHS Compliant



UNLESS OTHERWISE SPECIFIED ALL DIMENSIONS ARE MM [INCHES] TOLERANCES: EXCEPT AS NOTED			
.X	±.10	ØX	±.10
.XX	±.020	ØXX	±.015
.XXX	±.015	ØXXX	±.010
APPROVALS		DATE	
DRAWN	BW	3/2/07	
CHECKED			
APPROVED			

ADAM TECH
 909 Rahway Avenue, Union, NJ 07083
 Phone: 908-687-5000 Fax: 908-687-5710

TITLE: **EURO BLOCK, VERTICAL, 2.5mm PITCH,**

SIZE	PART NO.	REV.
X	EB2-12-M-DV	-
REF:	SCALE: NTS	SHEET 1 OF 1

6 5 4 3 2 1