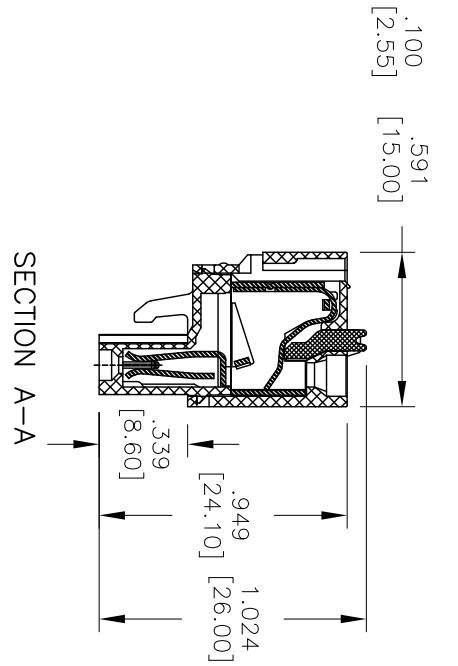
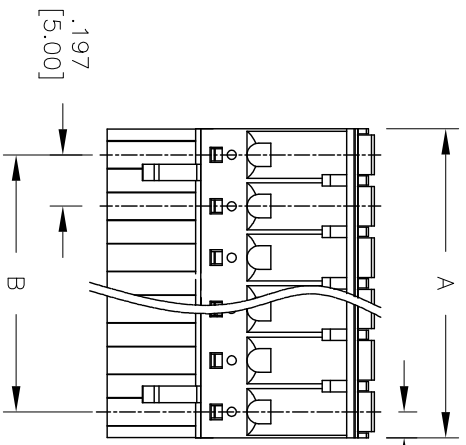
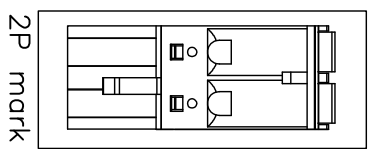
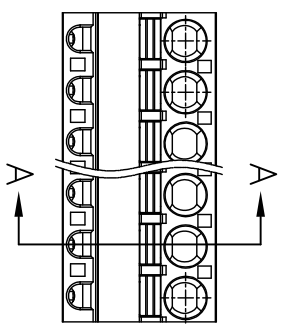


APPROVED: \_\_\_\_\_  
 DATE: \_\_\_\_\_ TITLE: \_\_\_\_\_

Rev	AWO #	Description	Date	Appr
-	9427	RELEASED	3/20/09	
A	9427	REDARW	8/17/11	



**SPECIFICATIONS:**

- Material: Thermoplastic, rated UL 94V-0
- Insulator color: Green
- Wire guard: Stainless Steel
- Contact: Phosphor Bronze, Tin plated
- Electrical:
  - Operation voltage: 300 VAC
  - Current rating: 10 Amps
- Solid wire (AWG): 12-26
- Stranded wire (AWG): 12-26
- Wire strip length: 8-9mm
- Withstanding Voltage: 1.6KV
- Environmental:
  - Operating temperature: -40°C to +115°C
  - Lead free, RoHS compliant.
  - Recommended soldering temp: 250°C for 5 sec.

Poles: 2 thru 24  
 A = .197 [5.00] X No. of Positions +.004 [0.10]  
 B = .197 [5.00] x No. of Spaces

UNLESS OTHERWISE SPECIFIED	
ALL DIMENSIONS ARE IN MM	
TOLERANCES: EXCEPT AS NOTED	
INCHES	HOLDS
.X ± .10	ØXX ± .10
.XX ± .020	ØXXX ± .015
.XXX ± .015	ØXXXX ± .010
APPROVALS	DATE
DRAWN	DY
CHECKED	
APPROVED	

**ADAM TECH**  
 909 Railway Avenue, Union, NJ 07083  
 Phone: 908-687-5000 Fax: 908-687-5710

TITLE		REV	
TERMINAL BLOCK, SPRING FOR PLUGGABLE, 5.00MM PITCH, CONTACT ON DOWN SIDE		A	
SIZE	PART NO.	REV	
X	EB2-XX-M-C-CSD	A	
REF:	S00007T	SCALE:	NIS
SHEET 1 OF 1		SHEET 1 OF 1	



6 5 4 3 2 1