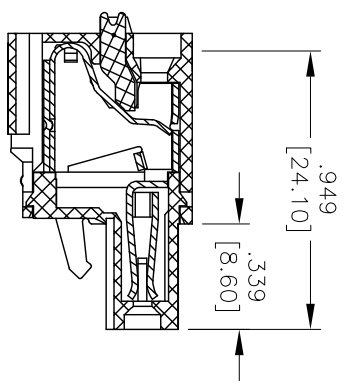
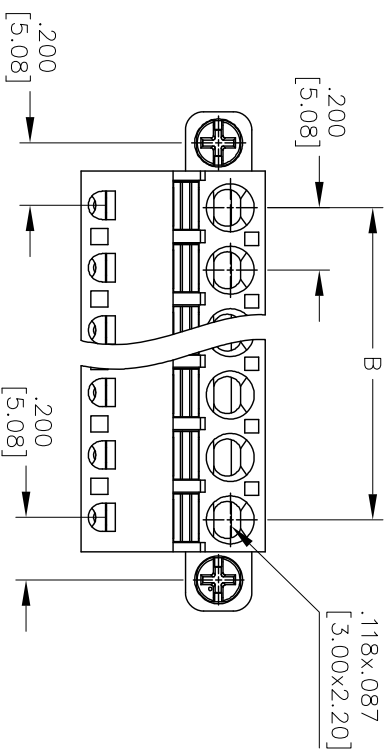
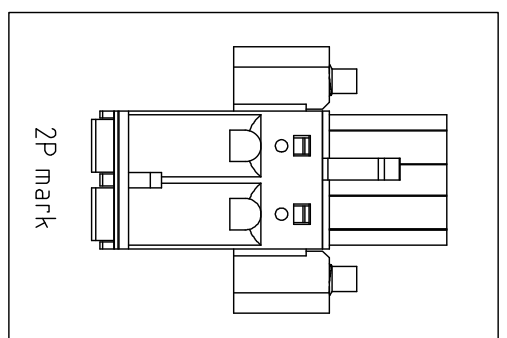
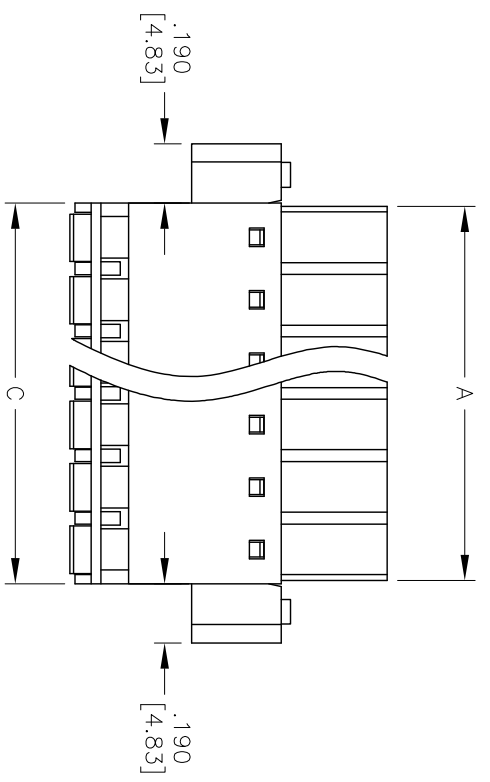


Rev	AWO #	Description	Date	Appr
-		RELEASED	8/17/11	

APPROVED: _____
 DATE: _____ TITLE: _____



Poles: 2 thru 24

- A = .200 [5.08] X No. of Positions
- B = .200 [5.08] X No. of Spaces
- C = .200 [5.08] X No. of Positions + .020 [0.50]

ADAM TECH

909 Rahway Avenue, Union, NJ 07083
 Phone: 908-687-5000 Fax: 908-687-5710

EURO BLOCK .200 [5.08] PITCH

UNLESS OTHERWISE SPECIFIED
 ALL DIMENSIONS ARE MM [INCHES]
 TOLERANCES: EXCEPT AS NOTED

INCHES	HOLES
X ± .10	ØX ± .10
.XX ± .020	ØXX ± .015
.XXX ± .015	ØXXX ± .010

APPROVALS

APPROVALS	DATE
DRAWN TW	8/17/11
CHECKED AV	8/17/11
APPROVED	

TITLE

EURO BLOCK .200 [5.08] PITCH

SIZE	PART NO.	REV.
X	EB2-XX-M-D-CSD-E	.

REF: S00007T SCALE: NTS SHEET 1 OF 1



SPECIFICATIONS:
Material: Thermoplastic, rated UL 94V-0
Insulator color: Green
Wire guard: Stainless Steel.
Contact: Phosphor Bronze, Tin plated.
Screw: M2.5, Steel, Zn plated.
Electrical:
 Operation voltage: 300 VAC
 Current rating: 12 Amps
 Stranded wire (AWG): 12-26
 Solid wire (AWG): 12-26
 Wire strip length: 8-9mm
 Withstanding Voltage: 1.6KV
Environmental:
 Operating temperature: -40°C to +115°C
 Lead free, RoHS compliant.
 Recommended soldering temp: 250°C for 5 sec.

6

5

4

3

2

1