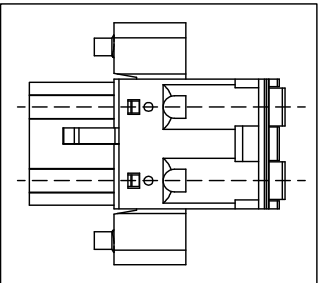
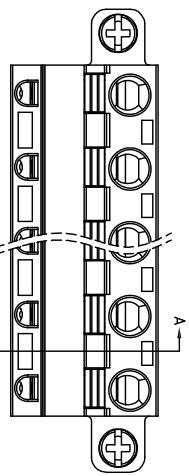
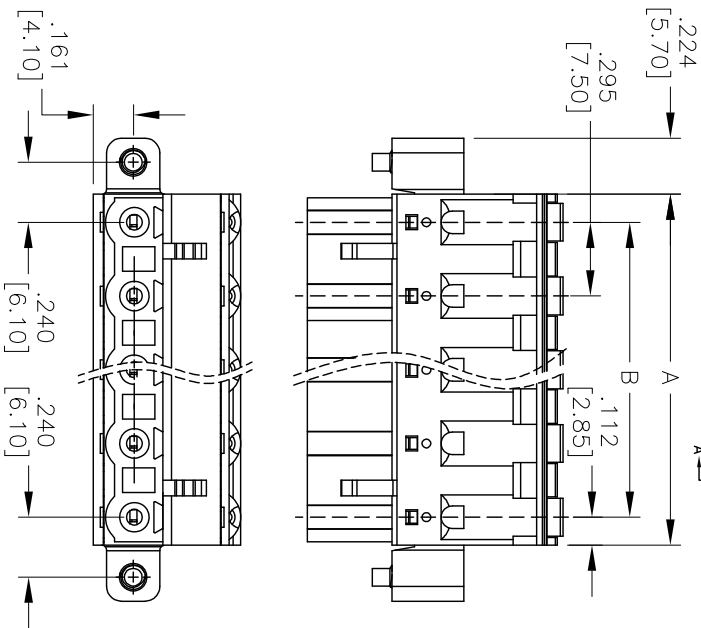
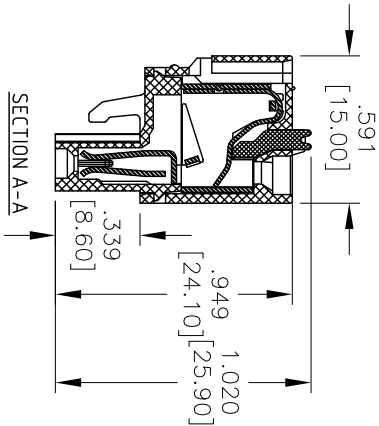


Rev	AWO #	Description	Date	Appr
-		RELEASED	8/17/11	

APPROVED: _____
 DATE: _____ TITLE: _____



2P mark



Poles: 2 thru 16
 A = .295 [7.50] X No. of Spaces + .224 [5.70]
 B = .295 [7.50] X No. of Spaces

SPECIFICATIONS:

- Material: Thermoplastic, rated UL 94V-0
- Insulator color: Green
- Wire guard: Stainless Steel.
- Contact: Phosphor Bronze, Tin plated.
- Screw: M2.5, Steel, Zn plated.
- Electrical:
 - Operation voltage: 300 VAC
 - Current rating: 10 Amps
- Current rating: 10 Amps
- Solid wire (AWG): 12-26
- Stranded wire (AWG): 12-26
- Wire strip length: 8-9mm
- Withstanding Voltage: 1.6KV
- Environmental:
 - Operating temperature: -40°C to +115°C
 - Lead free, RoHS compliant.
 - Recommended soldering temp: 250°C for 5 sec.



UNLESS OTHERWISE SPECIFIED	
ALL DIMENSIONS ARE MM [INCHES]	
TOLERANCES: EXCEPT AS NOTED	
INCHES	HOLES
.X ± .10	ØXX ± .10
.XX ± .020	ØXXX ± .015
.XXX ± .015	ØXXXX ± .010
APPROVALS	DATE
DRAWN TW	8/17/11
CHECKED AY	8/17/11
APPROVED	

ADAM TECH
 909 Rahway Avenue, Union, NJ 07083
 Phone: 908-687-5000 Fax: 908-687-5710

TITLE: EURO BLOCK, 295 [7.50] PITCH

SIZE	PART NO.	REV.
X	EB2-XX-M-M-E	-
REF: S00007T	SCALE: NTS	SHEET 1 OF 1