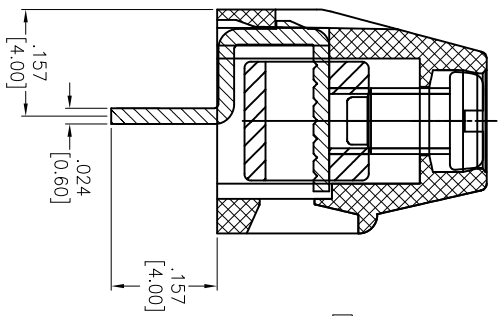
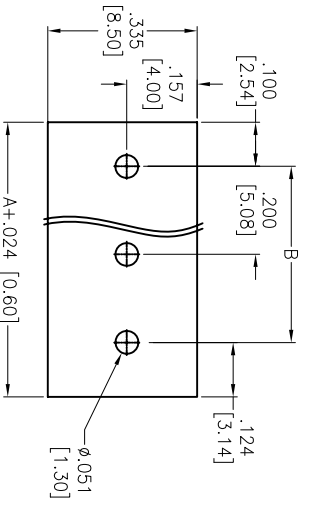
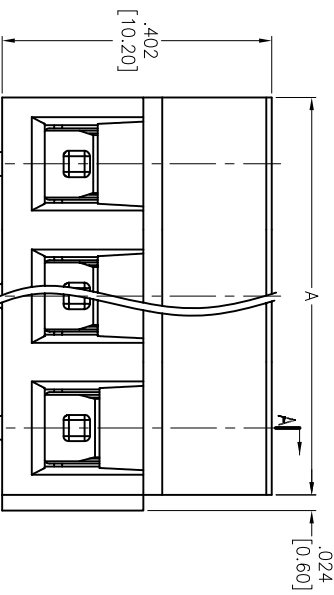
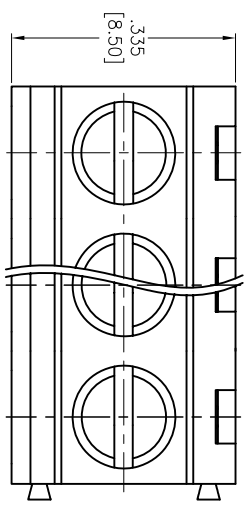


APPROVED: \_\_\_\_\_  
 DATE: \_\_\_\_\_ TITLE: \_\_\_\_\_

| Rev | AWO # | Description   | Date    | Appr  |
|-----|-------|---------------|---------|-------|
| -   |       | RELEASED      | 1/17/14 |       |
| A   |       | REVISED SHAPE | 6/26/14 | AV/SY |



**SPECIFICATIONS:**

**Material:** Insulator: PA66, rated UL 94V-0  
 Insulator color: Green  
 Screw: M2.5, Steel, Zinc plated.  
 Contact: Brass, Tin plated.  
 Cage: Brass, Nickel plated.  
**Electrical:**  
 Operation voltage: 300 VAC  
 Current rating: 8 Amps  
 Contact Resistance: 20 mohms max.  
 Insulation resistance: 500 Mohms min @DC 1000V  
 Dielectric withstanding voltage: 2000 VAC for 1 minut  
**Mechanical:**  
 Torque: 0.4Nm(3.5lb-in)  
 Wire Range: 26-16 AWG 1.5mm<sup>2</sup>  
 Wire strip length: 6-7mm  
**Environmental:**  
 Operating temperature: -40°C to +105°C  
 Environmental:  
 Lead free, RoHS compliant.

Poles: 2 thru 24  
 A = .200 [5.08] X No. of Positions  
 B = .200 [5.08] x No. of Spaces

UNLESS OTHERWISE SPECIFIED  
 ALL DIMENSIONS ARE INCHES [MM]  
 TOLERANCES: EXCEPT AS NOTED

| INCHES     | HOLES       |
|------------|-------------|
| X ± .10    | ØX ± .10    |
| XX ± .020  | ØXX ± .015  |
| XXX ± .015 | ØXXX ± .010 |

| APPROVALS  | DATE    |
|------------|---------|
| DRAWN AY   | 1/17/14 |
| CHECKED SY | 1/17/14 |
| APPROVED   |         |

**ADAM TECH**  
 909 Rahway Avenue, Union, NJ 07083  
 Phone: 908-687-5000 Fax: 908-687-5710

|              |                              |              |
|--------------|------------------------------|--------------|
| TITLE        | EURO BLOCK .200 [5.08] PITCH |              |
| SIZE         | PART NO.                     | REV.         |
| X            | EB21A-XX-D                   | A            |
| REF: S00067C | SCALE: NTS                   | SHEET 1 OF 1 |

