

6

5

4

3

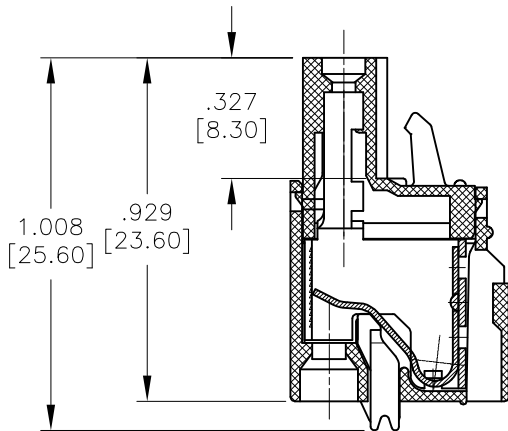
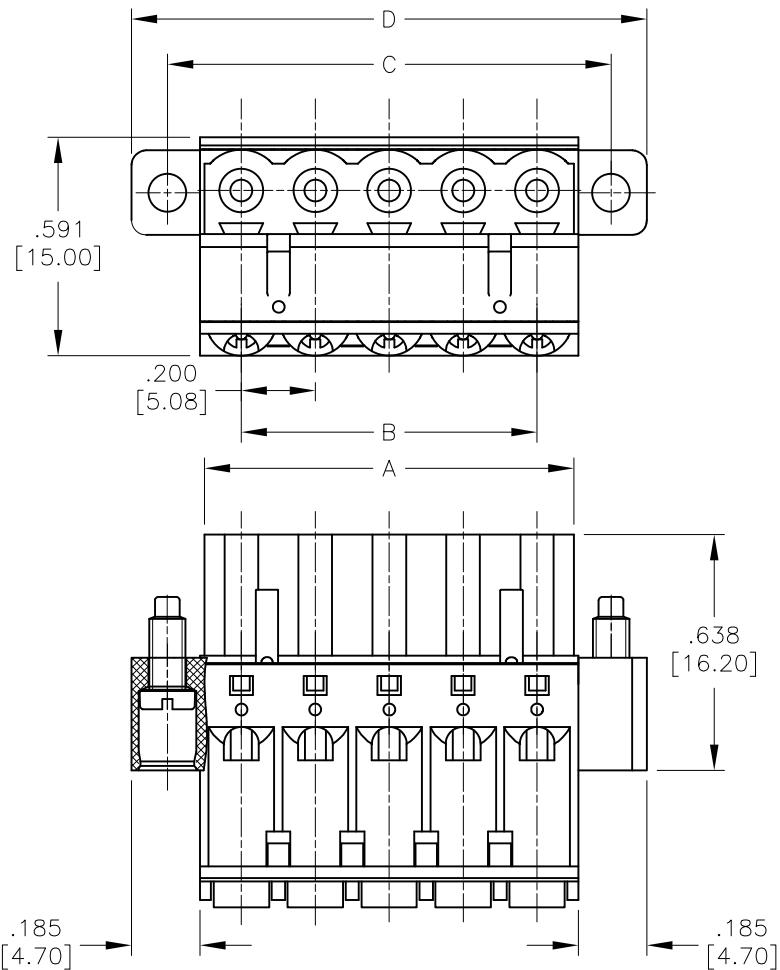
2

1

APPROVED: _____

DATE: _____ TITLE: _____

Rev	AWO #	Description	Date	Appr
-		RELEASED	12/16/15	



SPECIFICATIONS:

Material:

Insulator: PA66, rated UL 94V-0

Insulator color: Green

Shrapnel: Stainless Steel

Clamp: Phosphor Bronze, Nickel plated

Screws: M2.5, Steel, Zinc Plated

Electrical:

Operation voltage: 300 VAC

Current rating: 12 Amps

Withstanding Voltage: 2,000 VAC for 1 minute

Contact resistance: 20 mohms max

Insulation resistance: 500 Mohms min @ 500 VDC

Mechanical:

Stranded range: 28-14 AWG

Strip length: 7-8mm

Temperature Rating:

Operating temperature: -40°C to +115°C

Environmental:

Lead free, RoHS compliant.

Poles: 2 thru 24

A = .200 [5.08] X No. of Positions

B = .200 [5.08] x No. of Spaces

C = .200 [5.08] X No. of (Positions + 1)

D = .200 [5.08] X No. of Positions + .394 [10.00]

UNLESS OTHERWISE SPECIFIED
 ALL DIMENSIONS ARE MM [INCHES]
 TOLERANCES: EXCEPT AS NOTED

INCHES		HOLES	
.X	± .10	∅X	± .10
.XX	± .020	∅XX	± .015
.XXX	± .015	∅XXX	± .010

ADAM TECH

909 Rahway Avenue, Union, NJ 07083
Phone: 908-687-5000 Fax: 908-687-5710

TITLE
EURO BLOCK, .200 [5.08] PITCH, CONTACT ON DOWN SIDE, W/ MOUNTING EARS

APPROVALS		DATE
DRAWN	AY	12/16/15
CHECKED	LW	12/16/15
APPROVED		

SIZE X	PART NO. EB2A-XX-M-D-CSD-E	REV. -
REF: S00067C	SCALE: NTS	SHEET 1 OF 1



6

5

4

3

2

1