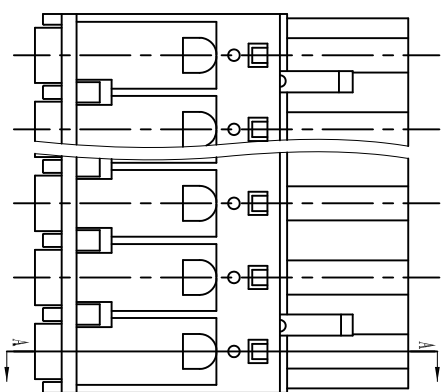
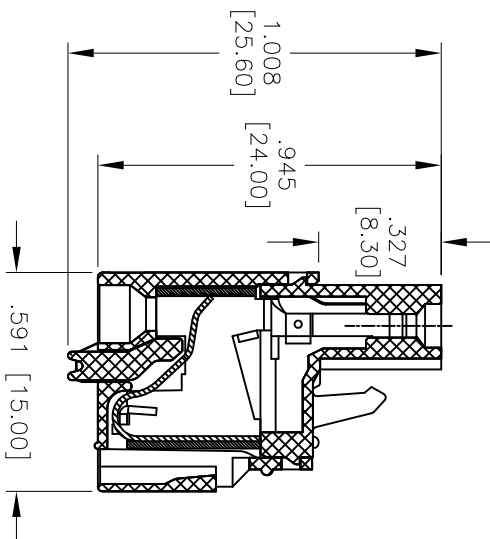
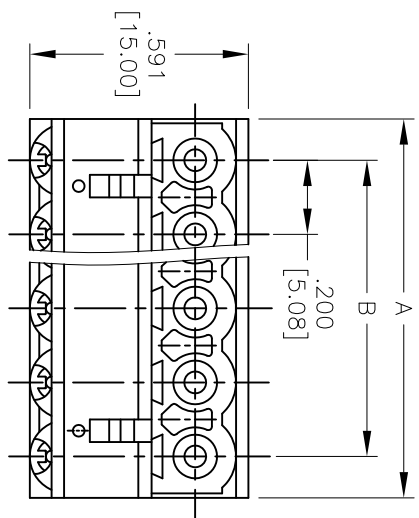


Rev	AWO #	Description	Date	Appr
-		RELEASED	11/17/14	

APPROVED: \_\_\_\_\_  
 DATE: \_\_\_\_\_ TITLE: \_\_\_\_\_



Poles: 2 thru 24  
 A = .200 [5.08] X No. of Positions + .024 [0.60]  
 B = .200 [5.08] X No. of Spaces

**SPECIFICATIONS:**  
**Material:**  
 Insulator: PA66, rated UL 94V-0  
 Insulator color: Green  
 Wire guard: Stainless Steel  
 Contact: Phosphor Bronze, Nickel plated.  
**Electrical:**  
 Operation voltage: 300 VAC  
 Current rating: 10 Amps  
 Withstanding Voltage: 2,000 VAC for 1 minute  
 Contact resistance: 20 mohms max  
 Insulation resistance: 500 Mohms min @ 500 VDC  
**Mechanical:**  
 Stranded range: 28-16 AWG  
 Strip length: 7-8mm  
 Temperature Rating:  
 Operating temperature: -40°C to +115°C  
**Environmental:**  
 Lead free, RoHS compliant.



UNLESS OTHERWISE SPECIFIED	
ALL DIMENSIONS ARE MM [INCHES]	
TOLERANCES: EXCEPT AS NOTED	
INCHES	HOLES
X ± .10	± .10
.XX ± .020	ØXX ± .015
.XXX ± .015	ØXXX ± .010
APPROVALS	DATE
DRAWN	HR
CHECKED	SC
APPROVED	

**ADAM TECH**  
 909 Rahway Avenue, Union, NJ 07083  
 Phone: 908-687-5000 Fax: 908-687-5710

TITLE: EURO BLOCK, 200 [5.08] PITCH  
 CONTACT ON DOWN SIDE

SIZE	PART NO.	REV.
X	EB2A-XX-M-D-CSD	-
REF:	S00087C	SHEET 1 OF 1
SCALE:	NTS	

6 5 4 3 2 1