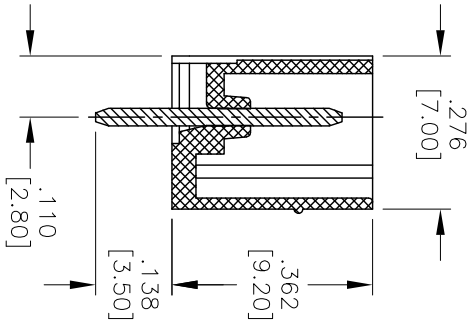
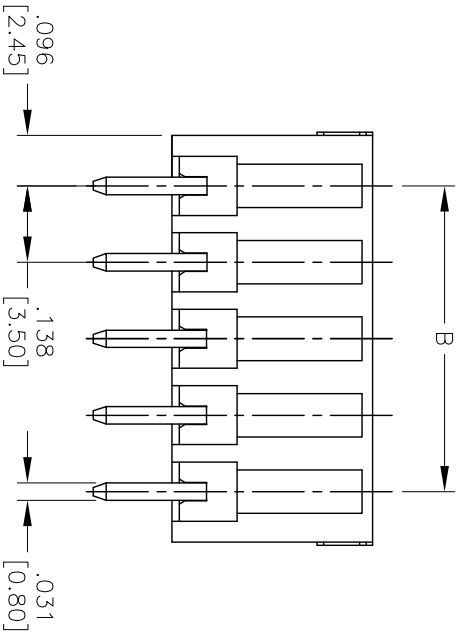
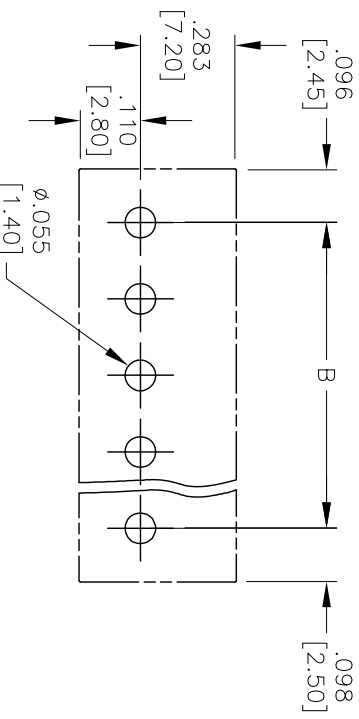
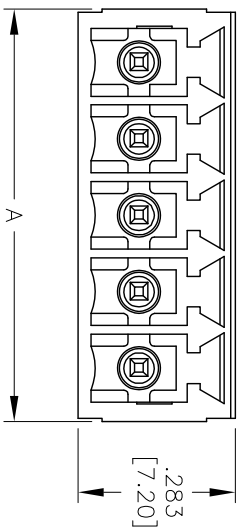


Rev	AWO #	Description	Date	Appr
-		RELEASED	8/18/11	

APPROVED: \_\_\_\_\_  
 DATE: \_\_\_\_\_ TITLE: \_\_\_\_\_



**SPECIFICATIONS:**  
 Material:  
 Insulator: Thermoplastic, rated UL 94V-0  
 Insulator color: Green  
 Contact: Copper Alloy, Tin plated.  
 Electrical:  
 Operation voltage: 300 VAC  
 Current rating: 10 Amps  
 Mechanical:  
 Withstanding Voltage: 1.6KV  
 Temperature Rating:  
 Operating temperature: -40°C to +115°C  
 Environmental:  
 Lead free, RoHS compliant.

Poles: 2 thru 24  
 A = .138 [3.50] X No. of Spaces + .193 [4.90]  
 B = .138 [3.50] X No. of Spaces

UNLESS OTHERWISE SPECIFIED  
 ALL DIMENSIONS ARE MM [INCHES]  
 TOLERANCES: EXCEPT AS NOTED

INCHES	HOLES
.X ± .10	± .10
.XX ± .020	± .015
.XXX ± .015	± .010

APPROVALS

DATE	DATE

**ADAM TECH**  
 909 Rahway Avenue, Union, NJ 07083  
 Phone: 908-687-5000 Fax: 908-687-5710

TITLE  
**EURO BLOCK, .138 [3.50] PITCH, VERTICAL**



APPROVALS	DATE
DRAWN TW	8/18/11
CHECKED AY	8/18/11
APPROVED	

SIZE	PART NO.	REV.
X	EB3-XX-A-180	

REF: S00007T SCALE: NTS SHEET 1 OF 1

6 5 4 3 2 1