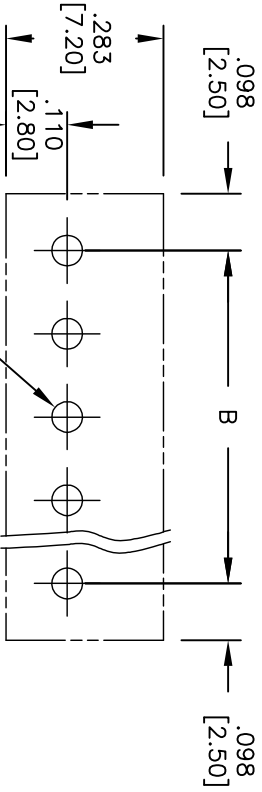
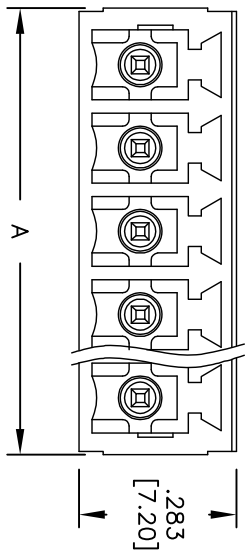
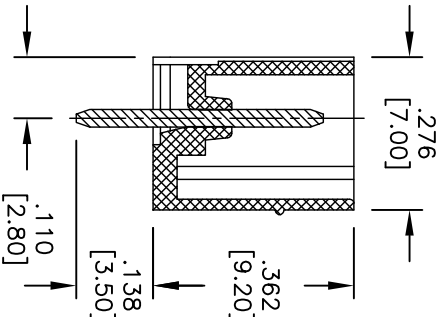
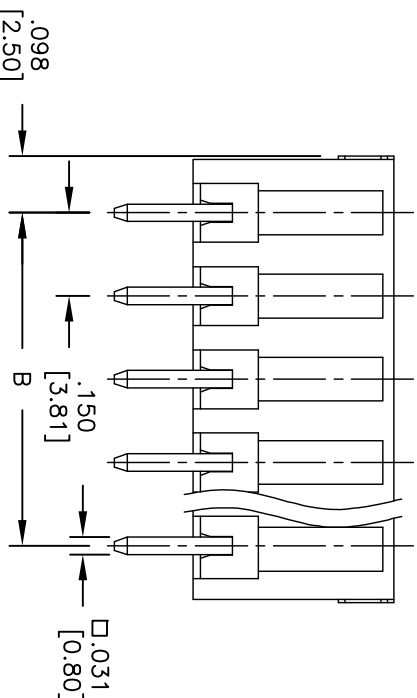


Rev	AWO #	Description	Date	Appr
-		RELEASED	12/14/11	

APPROVED: _____
 DATE: _____ TITLE: _____



Recommended PCB Layout



Poles	Tolerance
2-6P	±.006 [0.15]
7-12P	±.008 [0.20]
13-18P	±.010 [0.25]
19-24p	±.012 [0.30]

Poles: 2 thru 24
 A = .150 [3.81] X No. of Spaces + .197 [5.00]
 B = .150 [3.81] X No. of Spaces

SPECIFICATIONS:

- Material: Insulator: Thermoplastic, rated UL 94V-0
- Insulator color: Black
- Contact: Copper Alloy, Tin plated.
- Electrical: Operation voltage: 300 VAC
- Current rating: 10 Amps
- Mechanical: Withstanding Voltage: 1.6KV
- Environmental: Operating temperature: -40°C to +115°C
- Lead free, RoHS compliant.
- Recommended soldering temp: 250°C for 5 sec.



ADAM TECH
 909 Rahway Avenue, Union, NJ 07083
 Phone: 908-687-5000 Fax: 908-687-5710

UNLESS OTHERWISE SPECIFIED ALL DIMENSIONS ARE IN MM TOLERANCES: EXCEPT AS NOTED INCHES	
.X ± .10	ØXX ± .10
.XX ± .020	ØXXX ± .015
.XXX ± .015	ØXXXX ± .010
APPROVALS	DATE
DRAWN AY	12/14/11
CHECKED OC	12/14/11
APPROVED	

TITLE	.150 [3.81] PITCH, TERMINAL BLOCK, VERTICAL	
SIZE	PART NO.	REV.
X	EB3-XX-B-180-BK	-
REF:	SCALE: NTS	SHEET 1 OF 1