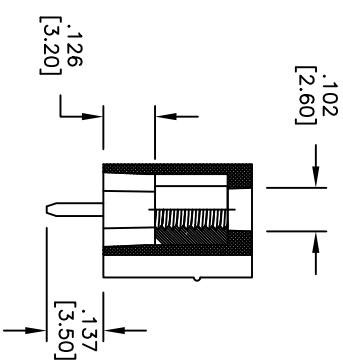
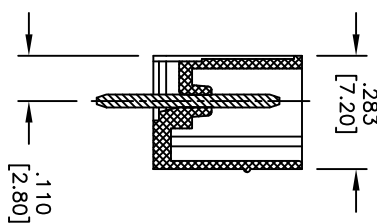
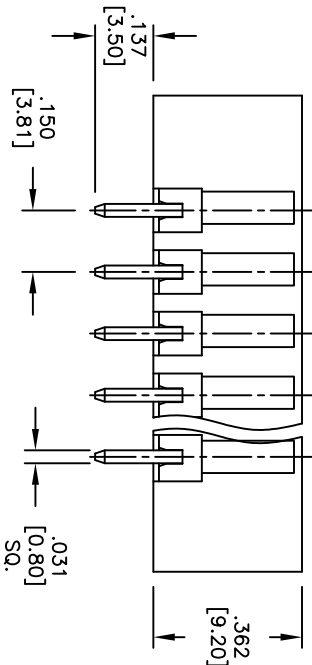
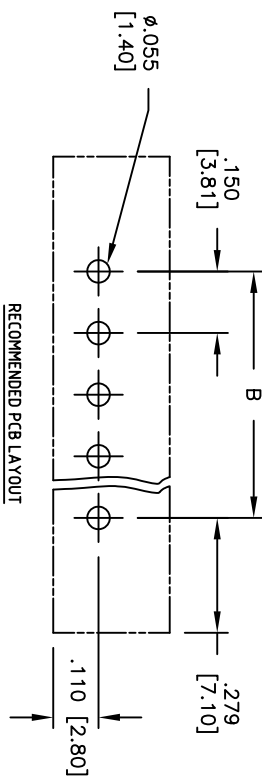
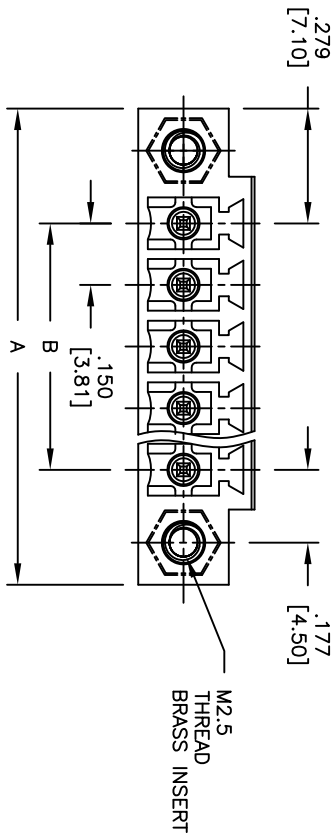


APPROVED: _____
 DATE: _____ TITLE: _____

Rev	AWO #	Description	Date	Appr
-		RELEASED	3/8/2011	
A		REVISED DIM.	10/29/13	AY



SPECIFICATIONS:

Material:
 Insulator: Thermoplastic, rated UL 94V-0
 Insulator color: Green
 Contact: Copper Alloy, Tin plated
 Flange Nut: Brass, M2.5
Electrical:
 Operation voltage: 300 VAC max
 Current rating: 10 Amps max
 Withstanding voltage: 1.6KV
 Temperature Rating:
 Operating temperature: -40°C to +115°C
 Environmental:
 Lead free, RoHS compliant.

Poles: 2 thru 24
 A = .150 [3.81] x No. of (Poles - 1) + .559 [14.20]
 B = .150 [3.81] x No. of (Poles - 1)

UNLESS OTHERWISE SPECIFIED
 ALL DIMENSIONS ARE INCHES [MM]
 TOLERANCES: EXCEPT AS NOTED
 INCHES HOLE SIZES

.X	± .10	ØXX	± .10
.XX	± .020	ØXXX	± .015
.XXX	± .015	ØXXXX	± .010

ADAM TECH
 909 Railway Avenue, Union, NJ 07083
 Phone: 908-687-5000 Fax: 908-687-5710

TITLE
 .150" [3.81] TERMINAL BLOCK

DRAWN	DY	3/8/2011	SIZE	PART NO.	REV.
CHECKED			X	EB3-XX-B-180-E	A
APPROVED			REF:	SCALE: NTS	SHEET 1 OF 1

