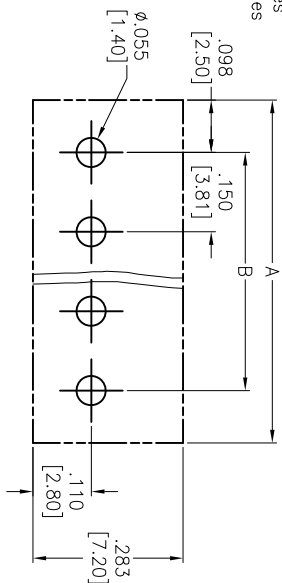
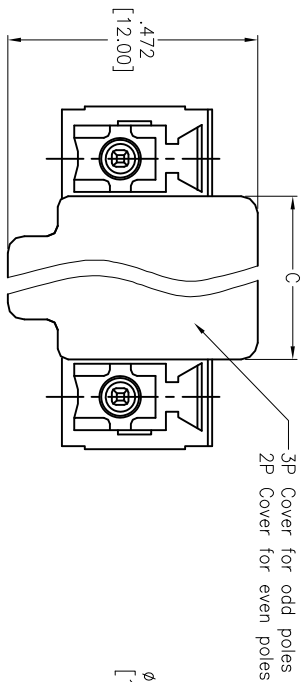
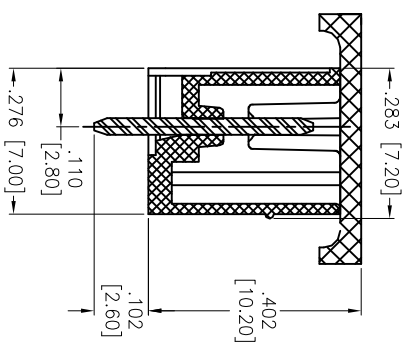
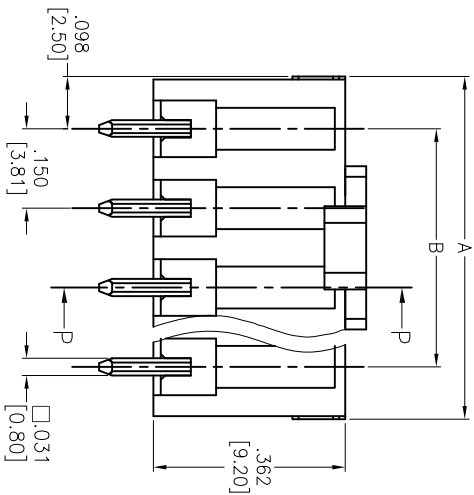


Rev	AWO #	Description	Date	Appr
-		RELEASED	8/5/14	

APPROVED: _____
 DATE: _____ TITLE: _____



RECOMMENDED PCB LAYOUT



SECTION P-P

Poles	Dim C
2P	.307 [7.81]
3P	.457 [11.62]

Poles	Tolerance
2-6P	±.006 [0.15]
7-12P	±.008 [0.20]
13-18P	±.012 [0.30]

PACKAGED ON TAPE & REEL
 Positions: 2 thru 16
 A = .150 [3.81] x No. of Positions + .197 [5.00]
 B = .150 [3.81] x No. of Spaces

ADAM TECH

909 Rahway Avenue, Union, NJ 07083
 Phone: 908-687-5000 Fax: 908-687-5710

TITLE: .150 [3.81] PITCH, TERMINAL BLOCK, VERTICAL,
 WITH COVER, BLACK COLOR, HI-TEMP, TAPE & REEL

SIZE: X
 PART NO.: EB3-XX-B-180-WC-BK-HT-1/R
 SCALE: NTS
 SHEET 1 OF 1

UNLESS OTHERWISE SPECIFIED
 ALL DIMENSIONS ARE INCHES [MM]
 TOLERANCES: EXCEPT AS NOTED

INCHES	HOLES
.X ±.10	ØX ±.10
.XX ±.020	ØXX ±.015
.XXX ±.015	ØXXX ±.010

APPROVALS	DATE
DRAWN	HR
CHECKED	SY
APPROVED	

REV.	REV.
-	-

SPECIFICATIONS:
 Material: Insulator: Hi-Temp Thermoplastic,, rated UL 94V-0
 Insulator color: Black
 Contact: Copper, Tin plated
 Electrical: Operation voltage: 300 VAC max
 Current ratings: 10 Amps max
 Dielectric withstanding voltage: 1,600 VAC for 1 minute
 Temperature Rating: Operating temperature: -45°C to +65°C
 Environmental: Lead free, RoHS compliant.



6

5

4

3

2

1