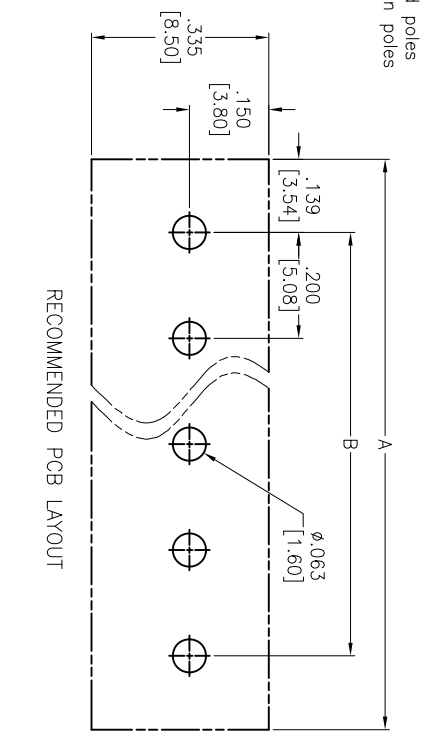
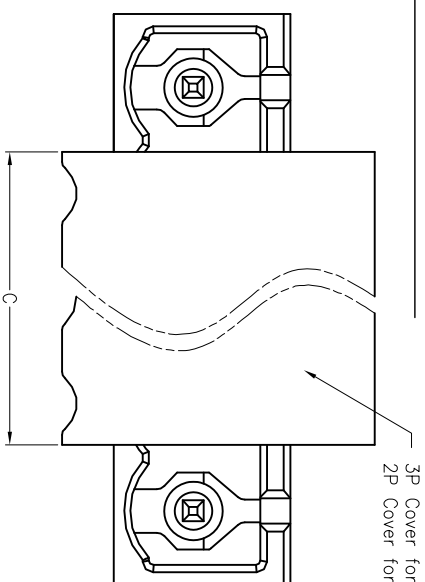


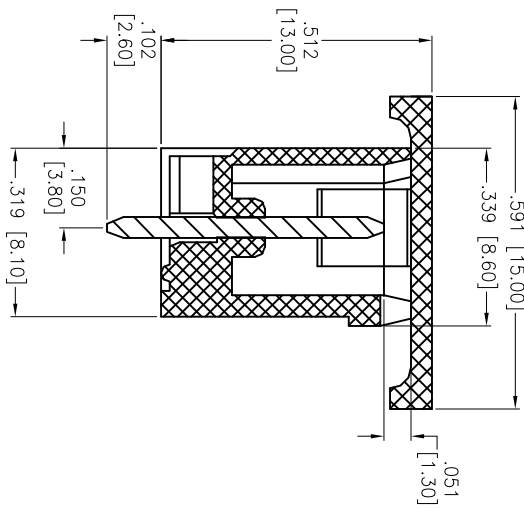
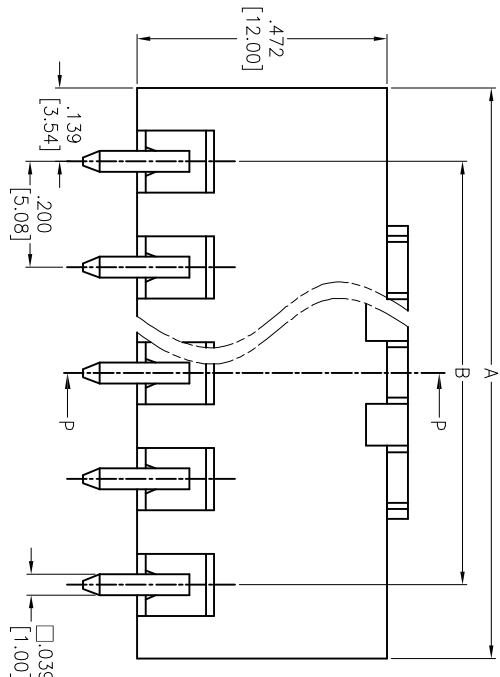
Rev	AWO #	Description	Date	Appr
-		RELEASED	8/5/14	

APPROVED: \_\_\_\_\_ TITLE: \_\_\_\_\_

DATE: \_\_\_\_\_



RECOMMENDED PCB LAYOUT



Poles	Dim C
2P	.356 [9.04]
3P	.554 [14.08]

Poles	Tolerance
2-3P	±.006 [0.15]
4-8P	±.008 [0.20]
9-12P	±.010 [0.25]

PACKAGED ON TAPE & REEL  
 Positions: 2 thru 12  
 A = .200 [5.08] x No. of Positions + .079 [2.00]  
 B = .200 [5.08] x No. of Spaces

**ADAM TECH**

909 Railway Avenue, Union, NJ 07083  
 Phone: 908-687-5000 Fax: 908-687-5710

TITLE: .200 [5.08] PITCH, TERMINAL BLOCK, VERTICAL,  
 WITH COVER, BLACK COLOR, HI-TEMP, TAPE & REEL

SIZE: X  
 PART NO.: EB3-XX-B-180-WC-BK-HT-T/R  
 SCALE: NTS  
 SHEET 1 OF 1

**SPECIFICATIONS:**

Material: Insulator: Hi-Temp Thermoplastic,, rated UL 94V-0  
 Insulator color: Black  
 Contact: Copper, Tin plated  
 Electrical: Operation voltage: 300 VAC max  
 Current ratings: 20 Amps max  
 Dielectric withstanding voltage: 1,600 VAC for 1 minute  
 Temperature Rating: Operating temperature: -45°C to +65°C  
 Environmental: Lead free, RoHS compliant.



UNLESS OTHERWISE SPECIFIED ALL DIMENSIONS ARE INCHES [MM]	
TOLERANCES: EXCEPT AS NOTED	
INCHES	HOLDS
.X ±.10	ØX ±.10
.XX ±.020	ØXX ±.015
.XXX ±.015	ØXXX ±.010
APPROVALS	DATE
DRAWN	HR
CHECKED	SY
APPROVED	