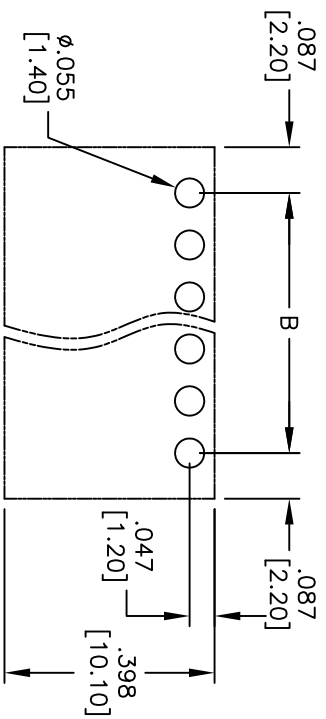
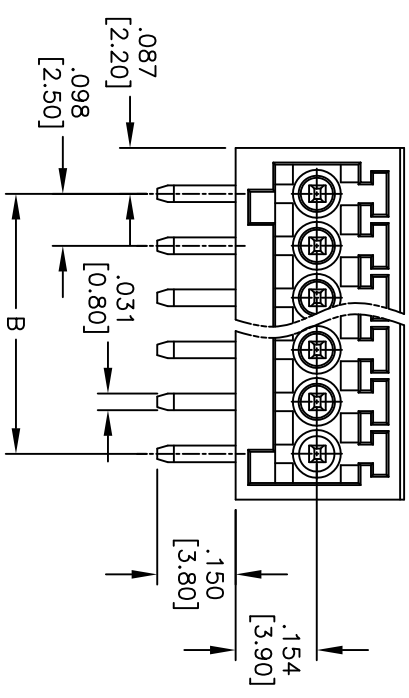


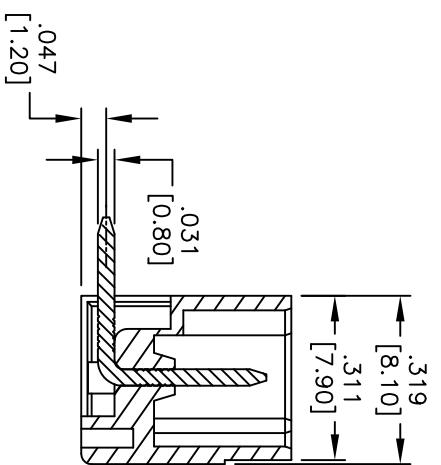
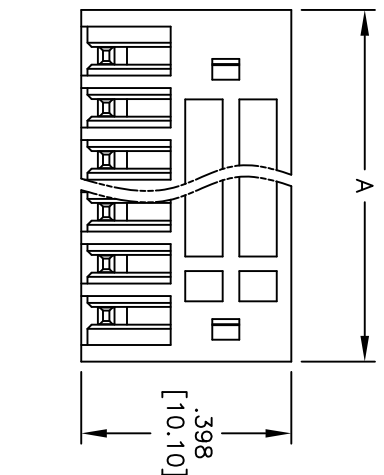
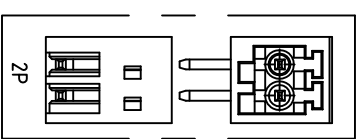
Rev	AWO #	Description	Date	Appr
-		RELEASED	6/29/11	

APPROVED: _____

DATE: _____ TITLE: _____



RECOMMENDED PCB LAYOUT



Poles: 2 thru 24
 A = .098 [2.50] X No. of Positions + .075 [1.90]
 B = .098 [2.50] X No. of Spoces

SPECIFICATIONS:

- Material: Insulator: Thermoplastic, rated UL 94V-0
- Insulator color: Green
- Contact: Copper, Tin plated.
- Electrical: Operation voltage: 150 VAC
- Current rating: 4 Amps
- Withstanding Voltage: 1.5kV
- Environmental: Operating temperature: -40°C to +115°C
- Lead free, RoHS compliant.



ADAM TECH
 909 Rahway Avenue, Union, NJ 07083
 Phone: 908-687-5000 Fax: 908-687-5710

UNLESS OTHERWISE SPECIFIED ALL DIMENSIONS ARE MM [INCHES] TOLERANCES: EXCEPT AS NOTED	
X	± .10
.XX	± .020
.XXX	± .015
ØXX	± .015
ØXXX	± .010
APPROVALS	DATE
DRAWN	DY
CHECKED	
APPROVED	

REF: S00007T	SCALE: NTS	SHEET 1 OF 1
SIZE PART NO.	EB3-XX-V	REV.
TITLE		
EURO BLOCK, 098 [2.50] PITCH		