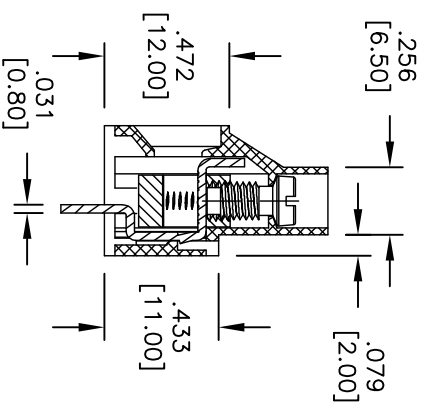
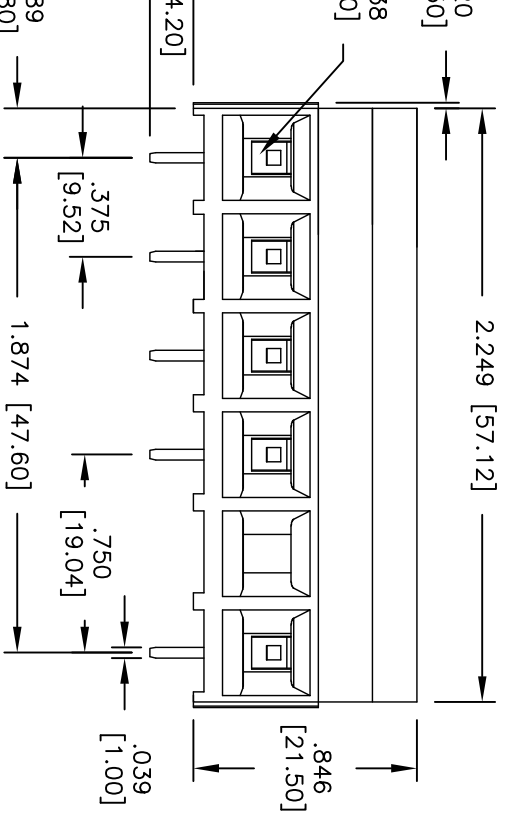
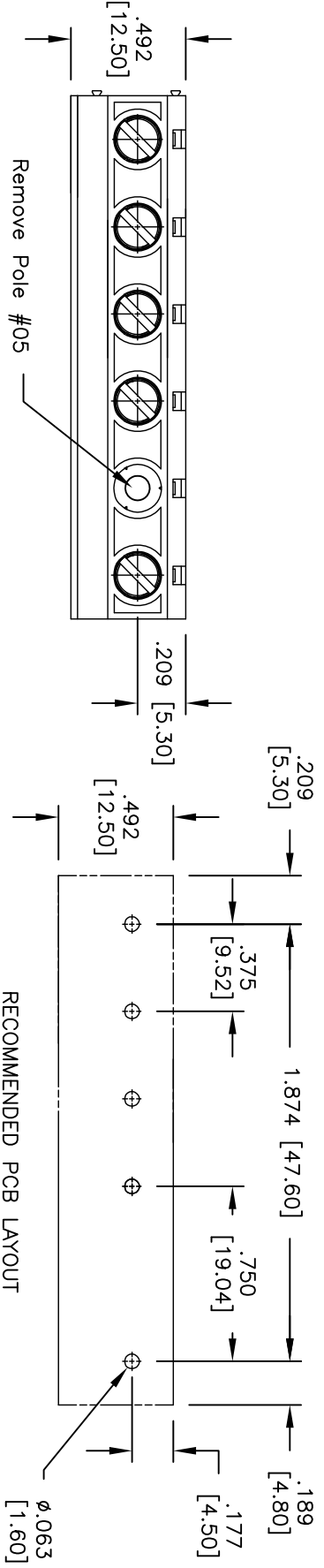


APPROVED: _____
 DATE: _____ TITLE: _____

Rev	AWO #	Description	Date	Appr
-		RELEASED	5/7/15	
A		REVISED DIM.	6/23/15	AV/OC



SPECIFICATIONS:

Material: Thermoplastic, rated UL 94V-0
 Insulator color: Green
 Clamp: Brass, Nickel plated.
 Screw: M3.5, Steel, Zn plated.
 Contact: Copper Alloy, Tin plated.
 Electrical:
 Operating voltage: 300 VAC
 Current rating: 30 Amps
 Mechanical:
 Wire strip length: 6-7mm
 Torque (lb-in): 6.9
 Wire Range: 10-24 AWG
 Withstanding Voltage: 1.6KV
 Temperature Rating:
 Operating temperature: -40°C to +115°C
 Environmental:
 Lead free, RoHS compliant.



UNLESS OTHERWISE SPECIFIED ALL DIMENSIONS ARE IN MM TOLERANCES EXCEPT AS NOTED INCHES	
.X ± .10	ØX ± .10
.XX ± .020	ØXX ± .015
.XXX ± .015	ØXXX ± .010
APPROVALS	DATE
DRAWN	HR
CHECKED	OC
APPROVED	

ADAM TECH
 909 Railway Avenue, Union, NJ 07083
 Phone: 908-687-5000 Fax: 908-687-5710

TITLE: **TERMINAL BLOCK, PCB, VERTICAL, 9.52MM PITCH**

SIZE: X
 PART NO.: EB4-06-N-X05
 REF: S00007T
 SCALE: NTS
 SHEET 1 OF 1