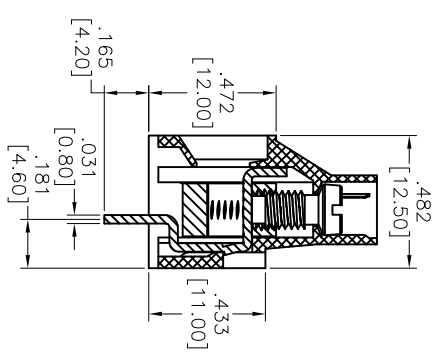
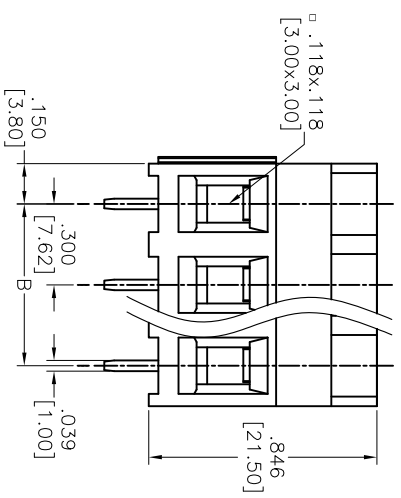
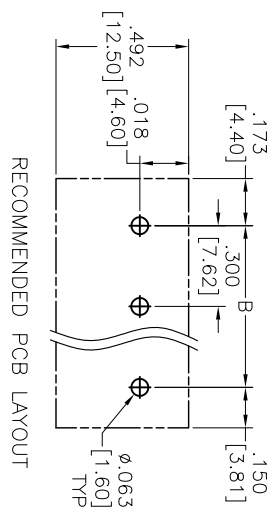
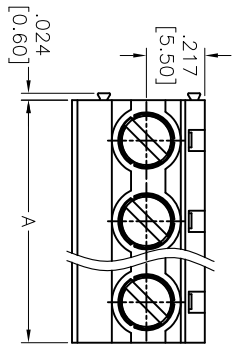


| Rev | AWO # | Description | Date    | Appr |
|-----|-------|-------------|---------|------|
| -   |       | RELEASED    | 9/27/11 |      |

APPROVED: \_\_\_\_\_

DATE: \_\_\_\_\_ TITLE: \_\_\_\_\_



**SPECIFICATIONS:**

**Material:**

Insulator: Thermoplastic, rated UL 94V-0

Insulator color: Green

Contact: Copper alloy, Tin plated

Screw: Steel, M3.5/Zn plated

**Electrical:**

Operation voltage: 300 VAC

Current rating: 20 Amps

Withstanding Voltage: 1.6KV

**Mechanical:**

Solid wire(AWG): 10-24

Stranded wire(AWG): 10-24

Screw Torque(Lb-In): 4

**Temperature Rating:**

Operating temperature: -40°C to +115°C

**Environmental:**

Lead free, RoHS compliant.

Positions: 2 thru 16  
 A = .300 [7.62] x No. of Positions  
 B = .300 [7.62] x No. of Spaces

UNLESS OTHERWISE SPECIFIED  
 ALL DIMENSIONS ARE IN INCHES [MM]  
 TOLERANCES: EXCEPT AS NOTED

| INCHES      | HOLES       |
|-------------|-------------|
| .X ± .10    | ØX ± .10    |
| .XX ± .020  | ØXX ± .015  |
| .XXX ± .015 | ØXXX ± .010 |

| APPROVALS | DATE    |
|-----------|---------|
| TW        | 9/27/11 |
| AY        | 9/27/11 |

| DRAWN | CHECKED | APPROVED |
|-------|---------|----------|
| TW    | AY      |          |

| Positions | Tolerance    |
|-----------|--------------|
| 2-6P      | ±.008 [0.15] |
| 7-11P     | ±.010 [0.25] |
| 12-16P    | ±.014 [0.35] |

**ADAM TECH**

909 Rahway Avenue, Union, NJ 07083  
 Phone: 908-687-5000 Fax: 908-687-5710

TITLE: TERMINAL BLOCK, VERTICAL, 300 [7.62]MM PITCH

| SIZE | PART NO. | REV. |
|------|----------|------|
| X    | EB4-XX-G |      |

| REF:    | SCALE: | SHEET | OF |
|---------|--------|-------|----|
| S00007T | NIS    | 1     | 1  |



6 5 4 3 2 1