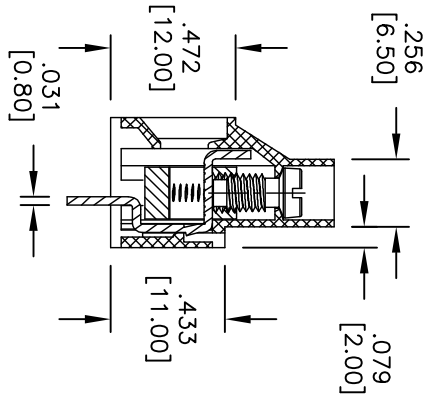
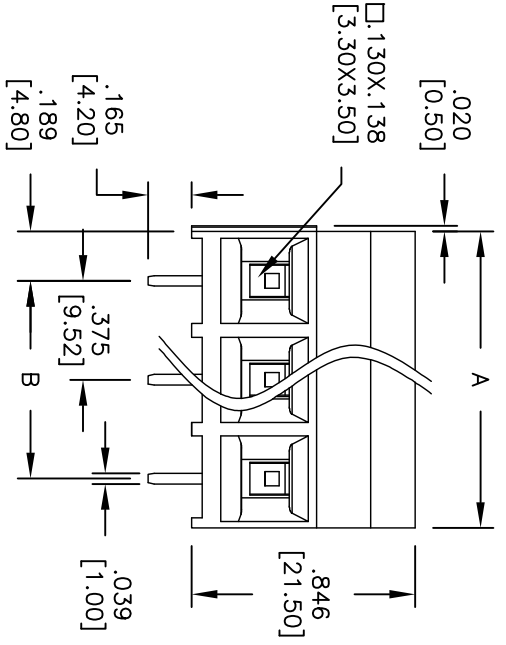
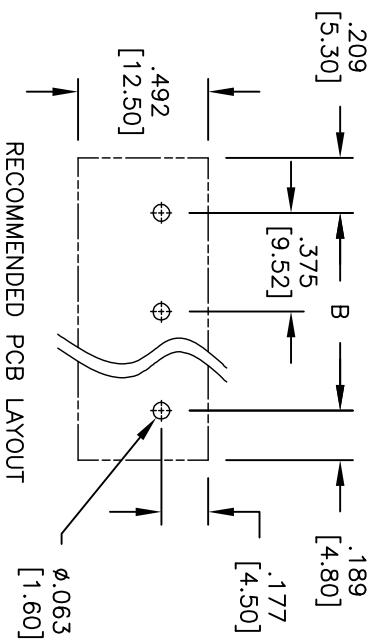
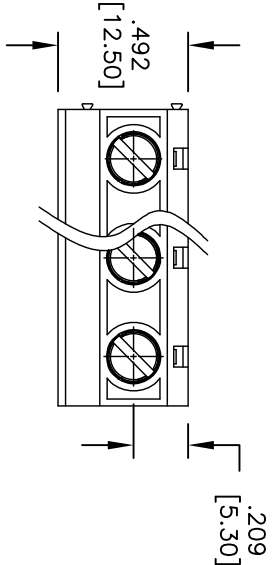


APPROVED: \_\_\_\_\_  
 DATE: \_\_\_\_\_ TITLE: \_\_\_\_\_

Rev	AWO #	Description	Date	Appr
-		RELEASED	9/26/11	
A		ADDED SPEC.	3/20/12	
B		REVISED DIM.	6/23/15	AY/OC



	Tolerance
2-6P	±.008 [0.20]
7-11P	±.012 [0.30]
12-16P	±.016 [0.40]

Positions: 02 thru 16  
 A = .375 [9.52] X No. of Positions  
 B = .375 [9.52] X No. of Spaces

**SPECIFICATIONS:**

Material: Thermoplastic, rated UL 94V-0  
 Insulator color: Grey  
 Clamp: Brass, Nickel plated.  
 Screw: M3.5, Steel, Zn plated.  
 Contact: Copper Alloy, Tin plated.  
 Electrical:  
 Operation voltage: 300 VAC  
 Current rating: 30 Amps  
 Mechanical:  
 Wire strip length: 6-7mm  
 Torque (Lb-In): 6.9  
 Wire Range: 10-24 AWG  
 Withstanding Voltage: 1.6KV  
 Temperature Rating:  
 Operating Temperature: -40°C to +115°C  
 Environmental:  
 Lead free, RoHS compliant.



**ADAM TECH**

909 Rahway Avenue, Union, NJ 07083  
 Phone: 908-687-5000 Fax: 908-687-5710

TITLE: TERMINAL BLOCK, PCB, VERTICAL  
 .375 [9.52]MM PITCH, GREY

UNLESS OTHERWISE SPECIFIED ALL DIMENSIONS ARE MM	
TOLERANCES: EXCEPT AS NOTED	
INCHES	HOLES
.X ±.10	ØX ±.10
.XX ±.020	ØXXX ±.015
.XXX ±.015	ØXXX ±.010
APPROVALS	
DRAWN	TW
CHECKED	AY
DATE	DATE
9/26/11	9/26/11

SIZE	PART NO.	REV.
X	EB4-XX-N-GY	B

REF: S00007T SCALE: NTS SHEET 1 OF 1

6 5 4 3 2 1

1 2 3 4 5 6