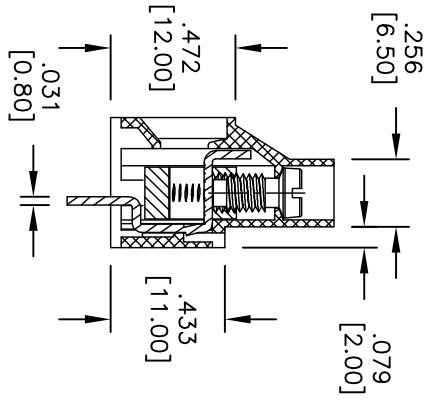
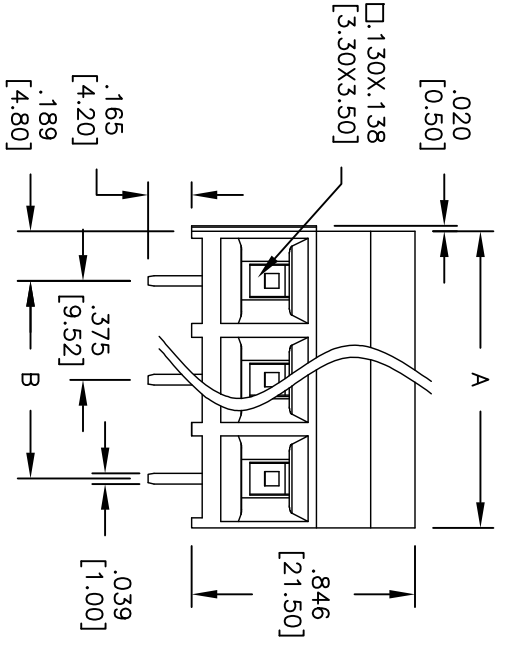
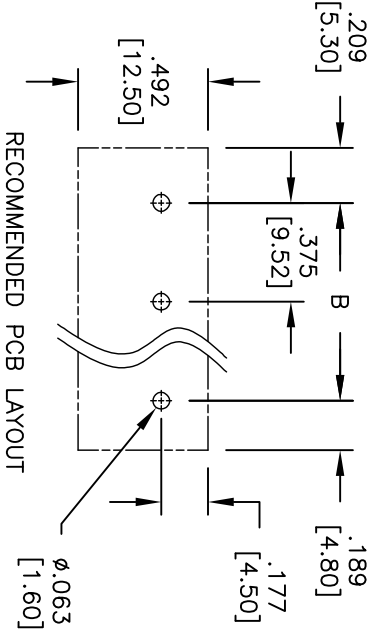
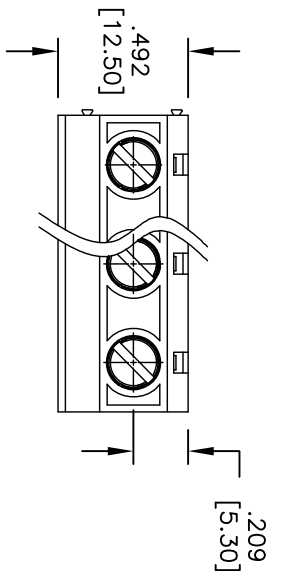


APPROVED: _____
 DATE: _____ TITLE: _____

Rev	AWO #	Description	Date	Appr
-	9427	RELEASED	12/29/10	
A		ADDED SPEC.	3/20/12	
B		REVISED DIM.	6/23/15	AY/OC



Positions: 02 thru 16
 A = .375 [9.52] X No. of Positions
 B = .375 [9.52] X No. of Spaces

	Tolerance
2-6P	±.008 [0.20]
7-11P	±.012 [0.30]
12-16P	±.016 [0.40]

SPECIFICATIONS:

Material: Insulator: Thermoplastic, rated UL 94V-0
 Insulator color: Green
 Clamp: Brass, Nickel plated
 Screw: M3.5, Steel, Zn plated.
 Contact: Copper Alloy, Tin plated.
Electrical:
 Operation voltage: 300 VAC
 Current rating: 30 Amps
Mechanical:
 Wire strip length: 6-7mm
 Torque (lb-in): 6.9
 Wire Range: 10-24 AWG
 Withstanding Voltage: 1.6KV
Temperature Rating:
 Operating temperature: -40°C to +115°C
 Environmental:
 Lead free, RoHS compliant.



ADAM TECH

909 Rahway Avenue, Union, NJ 07083
 Phone: 908-687-5000 Fax: 908-687-5710

TITLE: TERMINAL BLOCK, PCB, VERTICAL, 9.52MM PITCH

UNLESS OTHERWISE SPECIFIED ALL DIMENSIONS ARE IN MM	
TOLERANCES: EXCEPT AS NOTED	
INCHES	HOLES
.X ±.10	ØX ±.10
.XX ±.020	ØXXX ±.015
.XXX ±.015	ØXXX ±.010
APPROVALS	
DRAWN AY	DATE 12/29/10
CHECKED JL	DATE 12/29/10
APPROVED	

SIZE	PART NO.	REV.
X	EB4-XX-N	B

REF: S00007T SCALE: NTS SHEET 1 OF 1