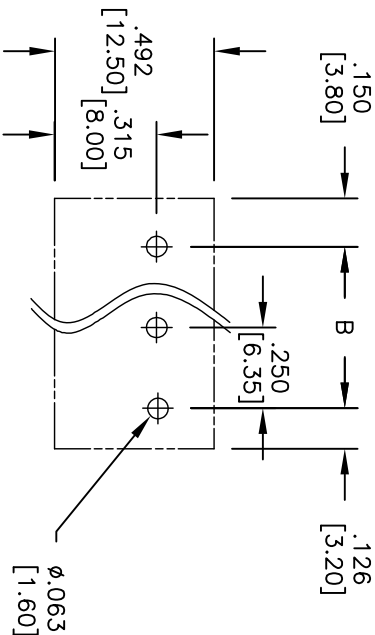
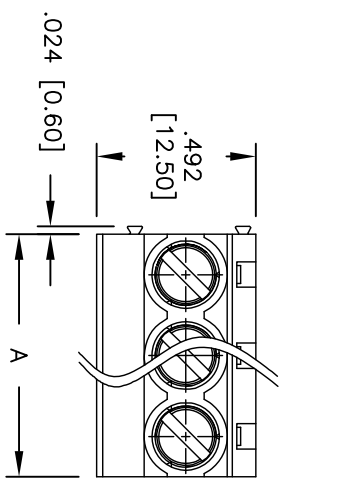
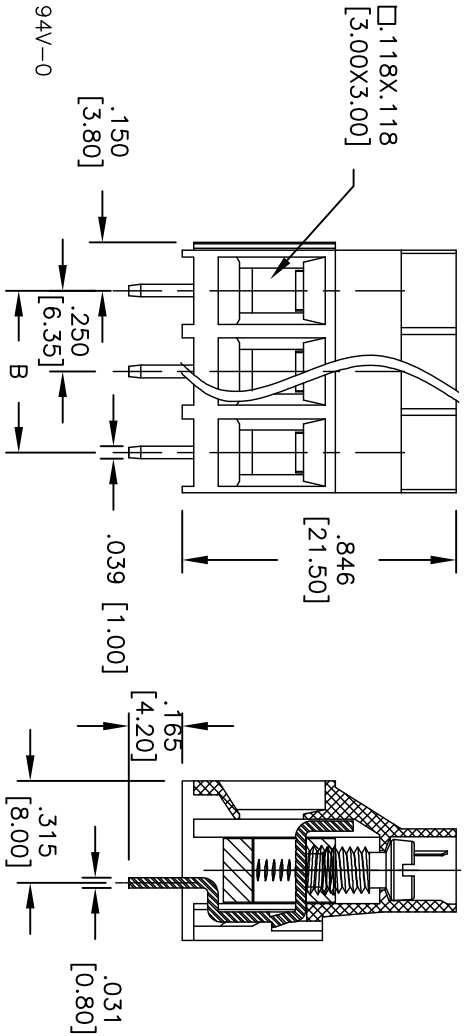


APPROVED: \_\_\_\_\_  
 DATE: \_\_\_\_\_ TITLE: \_\_\_\_\_

Rev	AWO #	Description	Date	Appr
-	9427	RELEASED	3/06/09	
A	9427	REDRAWN	12/29/10	



RECOMMENDED PCB LAYOUT



A = .250 [6.35] X No. of Positions  
 B = .250 [6.35] x No. of Spaces

**SPECIFICATIONS:**

- Material: Insulator: Thermoplastic, rated UL 94V-0
- Insulator color: Green
- Clamp: Brass, Nickel plated
- Screw: M3.5, Steel, Zn plated.
- Contact: Copper Alloy, Tin plated.
- Electrical: Operation voltage: 300 VAC
- Current rating: 10 Amps
- Mechanical: Wire strip length: 6-7mm
- Torque (lb-in): 6.9
- Wire Range: 10-24 AWG
- Withstanding Voltage: 1.6KV
- Environmental: Operating temperature: -40°C to +115°C
- Lead free, ROHS compliant.
- Recommended soldering temp: 235°C for 5 sec.



UNLESS OTHERWISE SPECIFIED	
ALL DIMENSIONS ARE IN MM	
TOLERANCES: EXCEPT AS NOTED	
INCHES	HOLES
X ± .10	ØX ± .10
.XX ± .020	ØXX ± .015
.XXX ± .015	ØXXX ± .010

**ADAM TECH**  
 909 Rahway Avenue, Union, NJ 07083  
 Phone: 908-687-5000 Fax: 908-687-5710

TITLE: TERMINAL BLOCK, PCB, VERTICAL, 6.35MM PITCH

APPROVALS		DATE
DRAWN	DY	3/06/09
CHECKED		
APPROVED		

SIZE	PART NO.	REV
X	EB4-XX-P	A

REF: S00007T SCALE: NTS SHEET 1 OF 1