

6

5

4

3

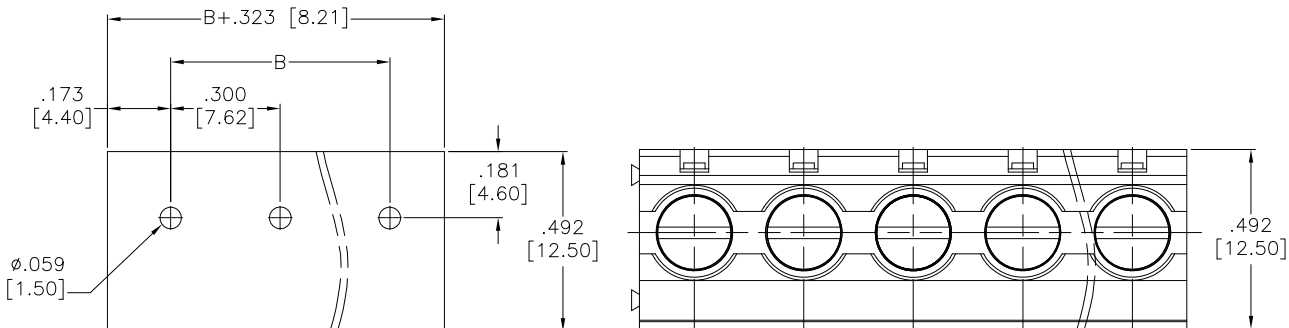
2

1

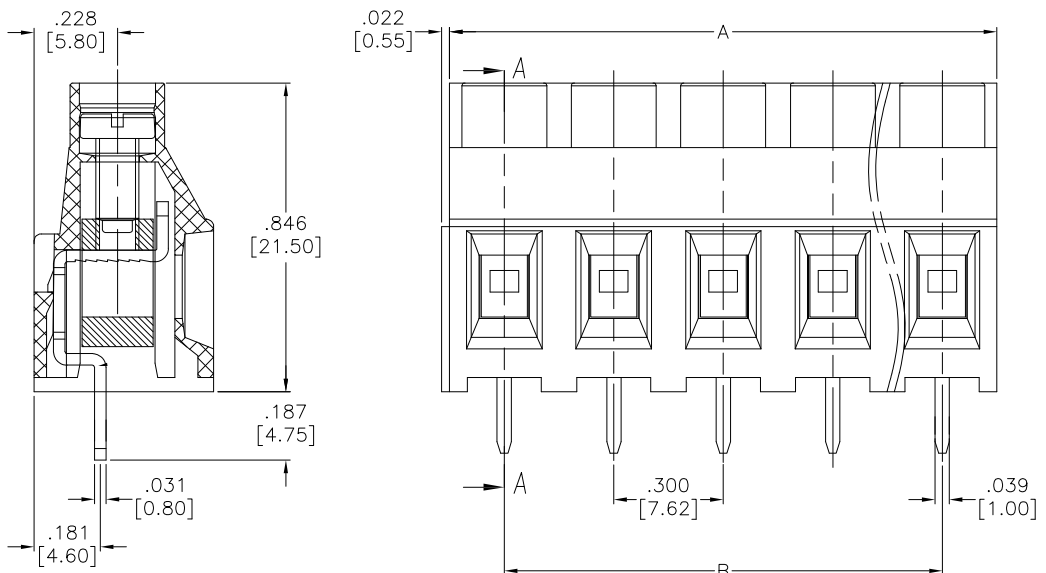
APPROVED: \_\_\_\_\_

DATE: \_\_\_\_\_ TITLE: \_\_\_\_\_

Rev	AWO #	Description	Date	Appr
-		RELEASED	1/14/16	



RECOMMENDED PCB LAYOUT



SECTION A-A

Poles: 2 thru 24  
 A = .300 [7.62] X No. of Positions  
 B = .300 [7.62] X No. of Spaces

**SPECIFICATIONS:**

**Material:**  
 Insulator: Nylon 66, rated UL 94V-0  
 Insulator color: Green  
 Contact: Brass, Tin plated  
 Cage: Brass, Nickel plated  
 Screw: M3.0 Steel, Zinc plated

**Electrical:**  
 Operation voltage: 300 V  
 Current rating: 30 A  
 Contact resistance: 20 mohms max  
 Insulation resistance: 500 Mohms min @ 500 VDC  
 Withstanding voltage: 2,000 VAC for 1 minute

**Mechanical:**  
 Wire Range: 10-26AWG, 4mm<sup>2</sup>  
 Torque: 0.5N-m, 4.4Lb-in  
 Strip length: 7-8mm  
 Temperature Rating:  
 Operating temperature: -40°C to +105°C

**Environmental:**  
 Lead free, RoHS compliant.



UNLESS OTHERWISE SPECIFIED ALL DIMENSIONS ARE INCHES [MM] TOLERANCES: EXCEPT AS NOTED		
INCHES		HOLES
.X ± .10	Ø.X ± .10	
.XX ± .020	Ø.XX ± .015	
.XXX ± .015	Ø.XXX ± .010	
APPROVALS		DATE
DRAWN	AY	1/14/16
CHECKED	SC	1/14/16
APPROVED		

**ADAM TECH**  
 909 Rahway Avenue, Union, NJ 07083  
 Phone: 908-687-5000 Fax: 908-687-5710

TITLE: **TERMINAL BLOCK, PCB, .300 [7.62] PITCH**

SIZE <b>X</b>	PART NO. <b>EB4A-XX-G</b>	REV. -
REF: S00067C	SCALE: NTS	SHEET 1 OF 1

6

5

4

3

2

1