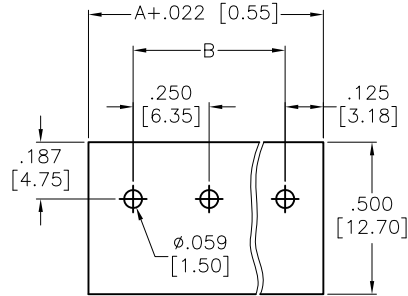


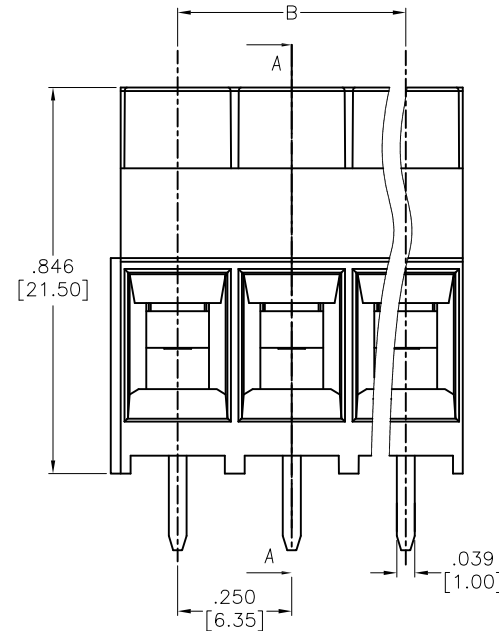
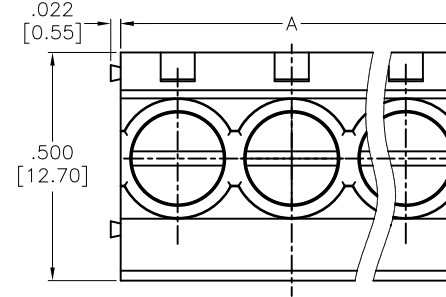
APPROVED: _____

DATE: _____ TITLE: _____

Rev	AWO #	Description	Date	Appr
-		RELEASED	11/13/15	



RECOMMENDED PCB LAYOUT



SECTION A-A

SPECIFICATIONS:

Material:
 Insulator: Nylon 66, rated UL 94V-0
 Insulator color: Green
 Contact: Brass, Tin plated
 Cage: Brass, Nickel plated
 Screw: M3.0 Steel, Zinc plated
Electrical:
 Operation voltage: 300 V
 Current rating: 30 A
 Contact resistance: 20 mohms max
 Insulation resistance: 500 Mohms min @ 500 VDC
 Withstanding voltage: 2,000 VAC for 1 minute
Mechanical:

Wire Range: 10-26AWG, 4mm²
 Torque: 0.5N-m, 4.43Lb-in
 Strip length: 6-7mm
 Temperature Rating:
 Operating temperature: -40°C to +105°C
Environmental:
 Lead free, RoHS compliant.



Poles: 2 thru 24
 A = .250 [6.35] X No. of Positions
 B = .250 [6.35] X No. of Spaces

UNLESS OTHERWISE SPECIFIED ALL DIMENSIONS ARE MM [INCHES] TOLERANCES: EXCEPT AS NOTED			
INCHES		HOLES	
.X ± .10	Ø.X ± .10		
.XX ± .020	Ø.XX ± .015		
.XXX ± .015	Ø.XXX ± .010		

ADAM TECH

909 Rahway Avenue, Union, NJ 07083
 Phone: 908-687-5000 Fax: 908-687-5710

TITLE

TERMINAL BLOCK, PCB, .250 [6.35] PITCH

APPROVALS		DATE
DRAWN	HR	11/13/15
CHECKED	WY	11/13/15
APPROVED		

SIZE X	PART NO. EB4A-XX-P	REV. -
REF: S00067C	SCALE: NTS	SHEET 1 OF 1